

www.cbha.com

Effective  
**2024**  
season

# CANADA BALL HOCKEY

## Official Rulebook

### 2024 Season



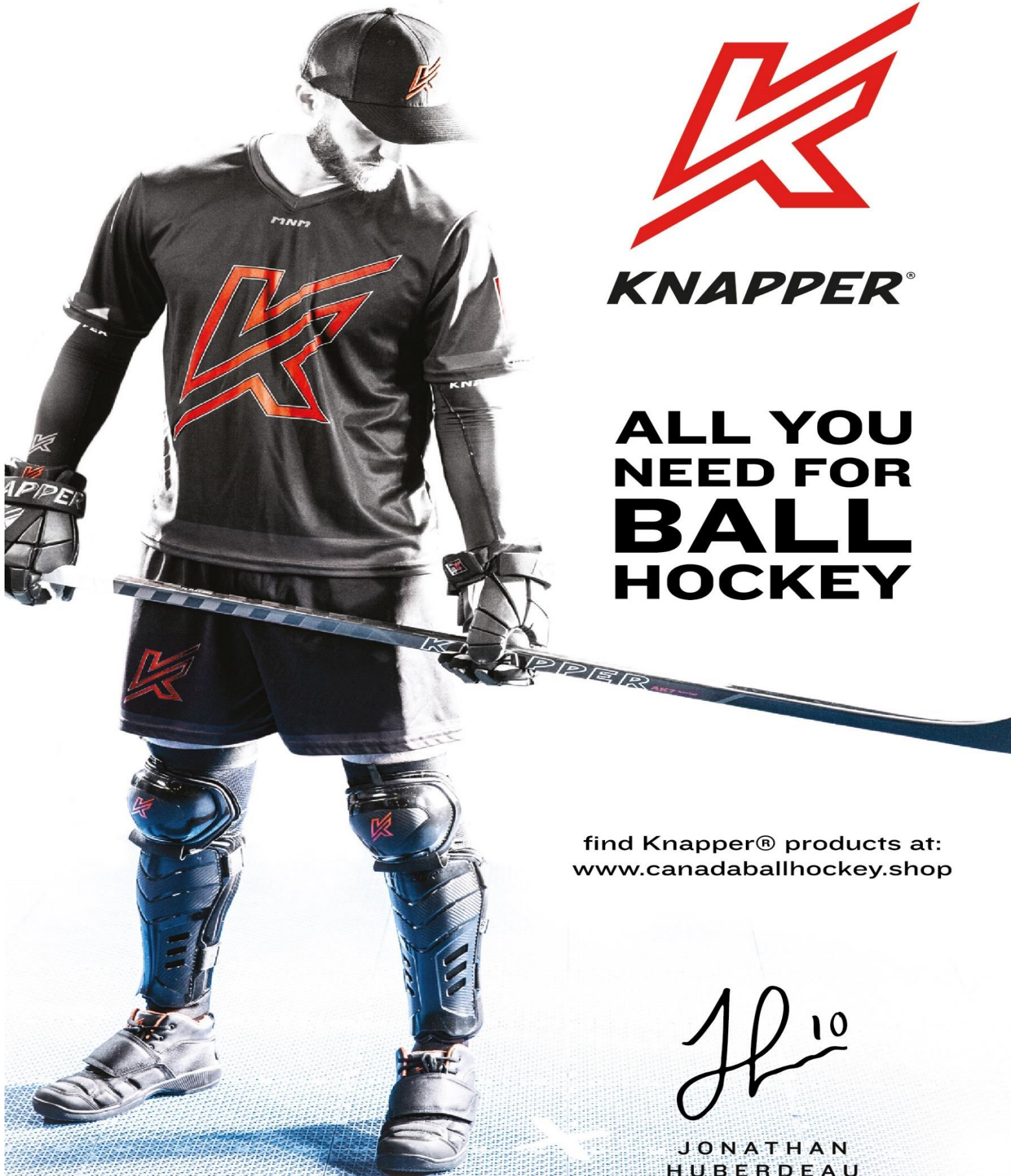
## SHARED RESPECT

---

Players • Coaches • Officials • Parents

*Proud members of:*





**KNAPPER®**

**ALL YOU  
NEED FOR  
BALL  
HOCKEY**

find Knapper® products at:  
[www.canadaballhockey.shop](http://www.canadaballhockey.shop)

**JONATHAN  
HUBERDEAU**

**KNAPPER  
AMBASSADOR**

Knapper is a proud Canadian brand, based in Montreal.  
© 2023 Sugi Sports inc. / All Rights Reserved.

## REFEREE'S RULEBOOK

The illustrations and text used in this publication are the exclusive copyright of the Canada Ball Hockey Association. Any reproduction of this publication in whole or in part without the written permission of Canadian Ball Hockey Association is strictly forbidden.

The Referee's Rulebook is up to date and will take effect at the beginning of the 2024 ball hockey season.

© Copyright 2024 by Canada Ball Hockey Association

*All rights reserved.*

*No part of this publication may be reproduced, stored in a retrieval system, or transmitted in any form or by any means, electronic, mechanical, or photocopying, recording or otherwise without prior permission of the copyright owner.*

*Printed in Canada*

*We would like to thank and acknowledge Hockey Canada for all their support and supplying the CBHA with their Rulebook/Casebook*

*Ce document est aussi disponible en français*

## CODE OF CONDUCT

This code binds all CBHA officials, players, coaches, fans and associates to a standard of conduct that promotes respect and dignity towards all individuals. We are committed to creating an environment that fosters fairness, neutrality and self-control.

Members shall refrain from comments or behaviour that is deemed to be disrespectful, offensive, racist or sexist. During the course of all CBHA events, participants will conduct themselves in a manner that encourages and enhances the organization's positive reputation. This includes, but is not limited to, the abusive use of alcohol and non-medical use of drugs/narcotics: or performance drugs or methods.

Officials and participants must lead by example: by adopting a confident, controlled and committed approach to the overall goal of excellence and integrity.

At all times, members shall adhere to the CBHA National, Provincial and local associations' operational policies and procedures. Members are expected to conduct themselves in a professional and responsible manner thus assuring the safety of others. Failure to comply with this Code of Conduct may result in disciplinary action including suspension, dismissal or other sanctions deemed appropriate by the CBHA and its governing bodies.

### Standard of Play

Canada Ball Hockey Association strongly recommends that all its youth member leagues, coaches and administrators provide a safe and fun atmosphere for all children to enjoy the game of hockey through ball hockey. Further, the CBHA strongly urges that all coaches teach a free-flowing style of play allowing the children to enjoy the game of hockey. We do not feel like strategic defensive team tactics like trapping, zones and defensive tracking that are taught to players in minor ice hockey meet with the objectives of the CBHA to allow children to enjoy the game of hockey in a traditional and fun way; one that puts the impetus on the player to freely enjoy the game of hockey without restraints.

### FAIR PLAY INITIATIVE

As a result of the Canadian Ball Hockey Association's focus on fair play and improved communication between officials, coaches and players, Canadian Ball Hockey Association has implemented the following process:

" In all games, the officials shall approach each bench and meet the Coaches. This process should not take more than 15 seconds and will be completed prior to the game, at the end of the pre-game warm-up. Officials are also encouraged to shake hands with the captains where possible".

This process is supported by the Coaching Program, Officiating Program and Canadian Ball Hockey Association's Board of Directors.

### FAIR PLAY ANNOUNCEMENT

It is recommended that this announcement be made prior to every game.

Good (Evening/Afternoon/Morning) (Ladies and Gentlemen/Ball Hockey Fans).  
Welcome to (tonight's/Today's/This Morning's) game between \_\_\_\_\_  
and \_\_\_\_\_.

These are ball hockey players who are performing here (Tonight/Today). They are friendly rivals as members of opposing teams. They are not enemies.

Coaches for (Tonight's/Today's/this morning's) game are \_\_\_\_\_ and \_\_\_\_\_.  
They have accepted the challenge of teaching the skills of this great game.

The officials are \_\_\_\_\_ and \_\_\_\_\_. These individuals have been assigned to administer the rules of the game. Their training, experience and integrity qualify them for their role in this contest.

On behalf of the (Team/Association) \_\_\_\_\_ enjoy our great game of skill.

**CANADA BALL HOCKEY ASSOCIATION**  
**BOARD OF DIRECTORS, EXECUTIVE MEMBERS AND STAFF**



**CANADA**

PO Box 22005, Kingston, ON K7M 8S5

Phone : 613-815-9610

Email : admin@cbha.com

<b>President</b> Tim McKenzie president@cbha.com	<b>Director – Women’s Program</b> Hayley Runnalls vp-womens@cbha.com
<b>Vice-President International</b> Elio Pascuzzo vp-intl@cbha.com	<b>Director – Men’s Program</b> Matt Lui vp-mens@cbha.com
<b>Administrator</b> Richard Rocha admin@cbha.com	<b>Director – Minor Program</b> Sandy Upper vp-minor@cbha.com
<b>Treasurer</b> Tyler Moore treasurer@cbha.com	<b>Referee in Chief – Adults</b> Darsh Grewall adult-ric@cbha.com
<b>Bookkeeper</b> Kelly Hogarth accounting@cbha.com	<b>Referee in Chief – Minors</b> TBD minor-ric@cbha.com
<b>Secretary</b> Veda Loknath secretary@cbha.com	<b>Director of Growth-Development</b> Justin d’Entremont growth-development@cbha.com
<b>Director of Communications &amp; social media</b> Mike Balaban media@cbha.com	<b>Director of Marketing and Partnerships</b> Emilie Morter marketing@cbha.com

[www.CBHA.com](http://www.CBHA.com)

## PROVINCIAL BALL HOCKEY ASSOCIATION OFFICES

<p><b>BRITISH COLUMBIA</b>  <i>BC Ball Hockey Association</i>          Email : <a href="mailto:info@BCBHA.com">info@BCBHA.com</a>          Web : <a href="http://www.BCBHA.com">www.BCBHA.com</a>          (Adults et minorrs)</p>	
<p><b>ALBERTA</b>  <i>Wild Rose Ball Hockey Association</i>  <a href="mailto:abballhockey@gmail.com">abballhockey@gmail.com</a>          Web: <a href="http://www.Wrballhockey.com">www.Wrballhockey.com</a></p> <p><i>Alberta Minor Ball Hockey Association</i>  <a href="http://www.albertaminorballhockey.com">www.albertaminorballhockey.com</a></p>	 
<p><b>SASKATCHEWAN</b>  <i>Prairie Central Ball Hockey Association</i>          Tel: 306-262-4625          Email: <a href="mailto:info@saskballhockey.com">info@saskballhockey.com</a></p>	
<p><b>MANITOBA</b>  <i>Manitoba Central Ball Hockey Association</i>          Tel: 204-925-5602          Email: <a href="mailto:mbha@mymts.net">mbha@mymts.net</a>          Web : <a href="http://www.manitobaballhockey.com">www.manitobaballhockey.com</a></p>	
<p><b>ONTARIO</b>  <i>Ontario Ball Hockey Federation</i>          Tel: 647-781-1818          Email : <a href="mailto:info@ontarioballhockeyfederation.ca">info@ontarioballhockeyfederation.ca</a>          Web : <a href="http://www.ontarioballhockeyfederation.ca">www.ontarioballhockeyfederation.ca</a></p>	
<p><b>QUEBEC</b>          Québec hockey-balle          Tel : 450-963-9346          Email : <a href="mailto:info@ahbq.com">info@ahbq.com</a>          Web : <a href="http://www.qbha.com">www.qbha.com</a></p>	
<p><b>NEW BRUNSWICK</b>  <i>New Brunswick Ball Hockey Association</i>          Tel: 506-721-4977          Email: <a href="mailto:saracc@rogers.com">saracc@rogers.com</a>          Web : <a href="http://www.nbbha.com">www.nbbha.com</a></p>	
<p><b>NEWFOUNDLAND &amp; LABRADOR</b>  <i>Newfoundland &amp; Labrador Ball Hockey Association</i>          Tel: 709-427-3327          Email: <a href="mailto:nlbha@hotmail.com">nlbha@hotmail.com</a>          Web : <a href="http://www.nlbha.com">www.nlbha.com</a></p>	



## **CANADA BALL HOCKEY ASSOCIATION**

### **MESSAGE FROM THE BOARD OF DIRECTORS**

The rules which are contained in this book are the only rules which are to be used in the playing of ball hockey under the jurisdiction of Canadian Ball Hockey Association. Branches or leagues choosing to play outside these rules will be subjected to discipline and will at a minimum, forfeit the right to Canadian Ball Hockey Association's Insurance Program. However, during internal branch competition, branches may make variations to Canadian Ball Hockey Association Official Rules, providing these variations are more restrictive than the rules as written.

A game should be refereed strictly in accordance with the rules. In individual cases, Referees may feel that the rules are in some respect not satisfactory. However, it is not up to an individual to decide if a rule should or should not be applied. Rules are approved by Canadian Ball Hockey Association's membership and are to be changed only through the democratic process at given periods of time. Referees are directed to thoroughly apply the rules of the Association and of their branch.

If a Referee has difficulty in the interpretation of any rule, the Referee should consult with the Branch Referee-in-Chief. If such person cannot give a satisfactory interpretation, Canadian Ball Hockey Association's Referee-in-Chief should be contacted.

It is understandable that in a country of the geographic expanse of Canada, a uniform interpretation of the rules may prove somewhat difficult. That, however, is the goal, which is to be aimed at, and if the rules are strictly adhered to in all parts of Canada, it should not be hard to come near achieving that goal.

These playing rules become effective with the commencement of the 2023  
season.

## Table of Content

REFEREE'S SIGNALS.....	17
GLOSSARY .....	28
RULES GOVERNING THE GAME OF BALL HOCKEY.....	32
SECTION ONE – THE RINK.....	32
Rule 1. Rink .....	32
Rule 2. Rink Dimensions.....	32
Rule 3. Division of Floor Surface.....	32
Rule 4. Goal Posts and Nets.....	33
Rule 5. Goal Crease .....	33
Rule 6. Centre Floor Spot and Circle .....	33
Rule 7. Face-off Spots in Neutral Zone.....	33
Rule 8. End Zone Face-off Spots and Circles.....	33
Rule 9. Player's Bench.....	34
Rule 10. Penalty Bench .....	34
Rule 11. Referee's Crease .....	35
Rule 12. Signal and Timing Devices.....	35
Rule 13. Dressing Rooms.....	35
Rule 14. Rink Lightening.....	36
SECTION TWO – TEAMS.....	37
Rule 15. Composition of Teams .....	37
Rule 16. Players in Uniform .....	37
Rule 17. Team Roster.....	38
Rule 18. Captain of the Team.....	38
Rule 19. Change of Player.....	38
Rule 20. Injured Players .....	40
SECTION THREE – EQUIPMENT .....	42
Rule 21. Sticks.....	42
Rule 22. Footwear .....	43
Rule 23. Goaltender's Equipment.....	43
Rule 24. Protective Equipment .....	45

Rule 25.	Dangerous Equipment.....	48
Rule 26.	The Ball .....	48
SECTION FOUR – PENALTIES .....		50
Rule 27.	Penalties .....	50
Rule 28.	2 & 4 Minute Minor Penalties.....	51
Rule 29.	Bench Minor Penalties .....	52
Rule 30.	Major Penalties.....	52
Rule 31.	Misconduct Penalties .....	52
Rule 32.	Game Ejection/Game Misconduct Penalties .....	53
Rule 33.	Gross Misconduct Penalties .....	53
Rule 34.	Match Penalties.....	53
Rule 35.	Penalty Shot.....	54
Rule 36.	Awarded Goals.....	56
Rule 37.	Goaltender Penalties.....	56
Rule 38.	Delayed Penalties .....	57
Rule 39.	Calling of Penalties.....	58
	<b>Examples of 4 Minute Coincidental Penalties .....</b>	<b>59</b>
	<b>Examples of Coincidental Penalties .....</b>	<b>60</b>
SECTION FIVE – THE OFFICIALS.....		62
Rule 40.	Appointment of Officials .....	62
Rule 41.	Referees.....	62
Rule 42.	Referees.....	63
Rule 43.	Goal Judges .....	64
Rule 44.	Penalty Timekeeper .....	64
Rule 45.	Official Scorers.....	65
Rule 46.	Game Timekeeper.....	65
SECTION SIX – PLAYING RULES .....		66
Rule 47.	Harassment of Officials, Unsportsmanlike Conduct/Misconduct .....	66
Rule 48.	Adjustment of Equipment .....	67
Rule 49.	Attempt to Injure or Deliberate Injury.....	68
Rule 50.	Boarding and Body-Checking.....	68
Rule 51.	Broken Stick .....	69

Rule 52.	Charging.....	69
Rule 53.	Checking from Behind .....	70
Rule 54.	Cross-Checking.....	71
Rule 55.	Delay of Game .....	72
Rule 56.	Elbowing and Kneeing.....	72
Rule 57.	Face-offs .....	73
Rule 58.	Falling on the Ball.....	75
Rule 59.	Fighting and Roughing .....	75
Rule 60.	Goals and Assists.....	76
Rule 61.	Handling the Ball .....	77
	GENERAL GUIDELINES FOR CLOSING YOUR HAND ON THE BALL .....	78
Rule 62.	High Stick.....	78
Rule 63.	Holding .....	79
Rule 64.	Hooking .....	79
Rule 65.	Flooring the Ball .....	79
Rule 66.	Interference/Protection of the Goaltender .....	80
Rule 67.	Interference by Spectators .....	82
Rule 68.	Kick Shot.....	82
Rule 69.	Kicking the Ball.....	82
Rule 70.	Leaving the Player's or Penalty Bench.....	83
Rule 71.	Physical Harassment of Officials .....	84
Rule 72.	Off-Sides .....	84
Rule 73.	Passes .....	86
Rule 74.	Ball Must Be Kept in Motion .....	86
Rule 75.	Ball Out of Bounds or Unplayable .....	87
Rule 76.	Ball Out of Sight and Illegal Ball .....	87
Rule 77.	Ball Striking Official .....	87
Rule 78.	Refusing to Start Play.....	88
Rule 79.	Slashing .....	88
Rule 80.	Spitting .....	89
Rule 81.	Start of Game and Periods.....	89
Rule 82.	Throwing Stick or Object .....	89

Rule 83. Tied Game ..... 90

Rule 84. Time of Game..... 91

Rule 85. Tripping ..... 92

Rule 86. Head Contact ..... 93

Rule 87. Plongeon/Exag erement..... 93

INSTRUCTIONS TO REFEREES ON REPORTS ..... 95

OFFICIAL’S VERBAL AND WRITTEN REPORT ..... 95

GAME SHEETS ..... 95

RULES ..... 95

STAND-BY REFEREES ..... 96

APPENDIX A – GOALTENDER’S STICK, PLAYER’S STICK AND BALL ..... 97

APPENDIX B – GOALTENDER’S GLOVES AND PADS – RULE 23 ..... 98

APPENDIX C - ILLUSTRATIONS – THE RINK AND FLOOR MARKINGS..... 99

APPENDIX D - INSTRUCTIONS TO OFF-FLOOR OFFICIALS ..... 100

APPENDIX E – DUTIES OF TEAMS OR RINK MANAGERS RELATING TO RINK  
CONDITIONS..... 101

APPENDIX F – GOAL CREASE (RULE 5) ..... 102

APPENDIX G – FACE-OFF RESTRAINING LINES..... 103

CROSS REFERENCE ..... 104

A ..... 104

B ..... 104

C ..... 104

D ..... 104

E ..... 105

F ..... 105

G ..... 105

H ..... 106

I ..... 106

N ..... 106

O ..... 106

P ..... 106

R ..... 107

S ..... 107

T ..... 107

U ..... 108

V ..... 108

W ..... 108

LIST OF PAST CHAMPIONS NATIONAL AND INTERNATIONAL..... 109

CANADIAN BALL HOCKEY NATIONAL CHAMPIONS MEN'S A NATIONAL CHAMPIONS ..... 109

WOMEN'S A NATIONAL CHAMPIONS ..... 110

MEN'S MASTERS NATIONAL CHAMPION..... 110

MEN'S B NATIONAL CHAMPION..... 111

MEN'S C NATIONAL CHAMPION ..... 111

MEN'S D NATIONAL CHAMPION..... 111

WOMEN'S B NATIONAL CHAMPION..... 111

U19 BOYS NATIONAL CHAMPION ..... 111

U17 BOYS NATIONAL CHAMPION..... 112

U15 BOYS NATIONAL CHAMPION..... 112

U19 GIRLS NATIONAL CHAMPION..... 113

EASTERN REGIONAL CHAMPIONS EASTERN B REGIONAL CHAMPIONS ..... 113

EASTERN C REGIONAL CHAMPIONS ..... 113

EASTERN D REGIONAL CHAMPIONS ..... 114

WESTERN REGIONAL CHAMPIONS WESTERN B REGIONAL CHAMPIONS ..... 114

WESTERN C REGIONAL CHAMPIONS..... 114

WESTERN D REGIONAL CHAMPIONS..... 115

WOMENS EASTERN/WESTERN REGIONAL CHAMPIONS WOMENS EASTERN B REGIONAL CHAMPIONS..... 115

WORLD MEN'S CHAMPIONS ..... 115

WORLD WOMEN'S CHAMPIONS ..... 116

WORLD JUNIOR BOYS U23 - CHAMPIONS ..... 116

WORLD JUNIOR U20 - CHAMPIONS ..... 116

WORLD JUNIOR U18 - CHAMPIONS ..... 116

WORLD JUNIOR U16 – CHAMPIONS ..... 116

WORLD JUNIOR U18 GIRLS - CHAMPIONS ..... 117  
WORLD JUNIOR U20 GIRLS - CHAMPIONS ..... 117

Amateur ball hockey in Canada is played by men, women, boys, and girls from coast to coast. Within this publication the alternating of gender in both photographs and grammar is utilized. Any masculine reference shall also apply to female ball hockey and any feminine reference shall apply to male ball hockey. This is to encourage the widest possible involvement in our great game!

## SHARED RESPECT

---

players • coaches • officials • parents



## REFEREE'S SIGNALS

**BOARDING:** Striking the clenched fist of one hand into the open palm of the opposite hand in front of the chest.



**BODY CHECKING:** Open palm of the non-whistle hand, with fingers together, comes across body on to the opposite shoulder.



**BUTT-ENDING:** A cross motion of the fore-arms, one moving under the other. Lower hand is a clenched fist while the upper hand is open palm facing down.



**CHARGING:** Rotating clenched fists around one another in front of the chest.



**CHECKING FROM BEHIND:** A forward motion of both arms, with the palms of the hands open and facing away from the body, fully extended from the chest at shoulder level.



**CROSS-CHECKING:** A forward and backward motion of the arms with both fists clenched, extending from the chest for a distance of about one foot.



**DELAYED CALLING PENALTY:** Extending the non-whistle arm fully above the head.



**DELAYED OFF-SIDE :** Non-whistle arm fully extend- ed above the head. To nullify a delayed off-side the official shall drop the arm to the side.



**ELBOWING:** Tapping either elbow with the opposite hand.



**GOAL SCORED :** A single point directed at the goal in which the ball legally entered.



**HAND PASS :** Pushing motion with the open palm of the hand.



**HEAD CONTACT :** Patting flat (open palm) of the non-whistle hand on this side of the head.



**HIGH STICKING:** Both hands clenched, one immediately above the other at the height of the forehead.



**HOLDING:** Clasping either wrist with the other hand in front of the chest



**HOLDING THE STICK:** Two stage signal involving the holding signal (shown above) followed by a signal indicating you are holding onto a stick with two hands in a normal manner.



**HOOKING :** A tugging motion with both arms as if pulling something from in front toward the stomach.



**FLOORING THE BALL:** The back Referee signals a possible flooring by fully extending either arm over her head. The arm should remain raised until the front Referee, either blows the whistle to indicate a flooring or until the flooring is washed out. Once the flooring has been completed, the back Referee will then point to the appropriate face-off spot and run to it.



**INTERFERENCE:** Crossing arms stationary in front of the chest.



**KNEEING:** Slapping either knee with the palm of the hand, while keeping both feet on the floor.



**MATCH PENALTY:** Patting flat of the hand on the top of the head.



**MISCONDUCT:** Both hands on hips.



**PENALTY SHOT:** Arms crossed above the head. Give the signal upon stoppage of play





**ROUGHING:** Fist clenched, and arm extended out to the front or side of the body



**SLASHING:** A chopping motion with the edge of one hand across the opposite forearm.



**SPEARING:** Jabbing motion with both hands thrust out immediately in front of the body and then hands dropped to the side of the body.



**TRIPPING:** Striking leg with either hand below the knee, keeping both feet on the floor.



**UNSPORTSMANLIKE CONDUCT/DIVING:** Using both hands to form a “T” in front of the chest.



**TOO MANY PLAYERS:** Indication with six fingers (one hand open) in front of the chest.



**WASH OUT:** A sweeping sideways motion of both arms across the front of the body at shoulder level with palms down. This signal is used:

- a) to signal “no goal”;
- b) to signal “no flooring”.



**ZONE GAINED (BLUE LINE SET):** Point in the direction of the attacking zone. Pointing in the opposite direction when the zone is lost.



## GLOSSARY

**AGGRESSOR:** Player attempting to continue a fight by throwing or attempting to throw punches or again by continuing the grappling action with his opponent with the intent of intimidation or punishment of that opponent. The aggressor may or may not be the instigator of the fight.

**ALTERCATION:** Altercation is defined as any incident involving players leading to a penalty or penalties.

**ATTEMPT TO OR DELIBERATE INJURY:** An action by a player or team official who by the use of a stick, foot or other object, or by using her body, hits or attempts to hit an opposing player or team official, or game official with the intention of causing injury.

**BREAKAWAY:** A player in full control of the ball in the neutral or attacking zone and having no opposing player between himself and the opposing goaltender (or goal, if the goaltender has been removed).

**BROKEN STICK:** A stick that in the opinion of the Referee is unfit for normal play.

**BUTT-ENDING:** The action whereby a player uses the shaft of the stick, above the upper hand, to check an opposing player in any manor or jabs or attempts to jab an opposing player with this part of his stick.

**BUTT-END HOOKING:** The action whereby a player uses the shaft of the stick above the upper hand to hold or hook an opponent.

**CAPTAIN:** A player, other than a goaltender, who is selected or named by the team, to represent the team with the officials. Wherever the word "Captain" appears in the Rule Book, it defines those players who have been designated as Captain or Alternate Captain on the Official Game Report.

**CHARGING:** The act of taking more than two steps or strides to contact an opposing player.

**CHECKING FROM BEHIND:** Any action where a player is intentionally pushed, body-checked, high sticked, cross-checked or hit in any manner from behind.

**COACH:** A person primarily responsible for directing and guiding the actions and efforts of his team. Along with the Manager, he is responsible for the conduct of the players before, during and after the game in the arena.

**CONTROL:** A player propelling the ball with her stick, feet or glove(s).

**CREASES:** Identifies enclosed space designated for the protection of the goaltender and the use of the Referee in the discharge of their respective duties. The lines which designate this space are to be considered part of the crease.

**CROSS-CHECKING:** The action of using the shaft of the stick between the two hands to check an opponent at any height.

**DELAYED OFF-SIDE:** A situation where an attacking player (players) has (have) preceded the ball across the attacking blue line, without the blue line being set, but the defending team is in a position to bring the ball back out of its defending zone without any delay or contact with an attacking player.

**ENCROACHMENT:** This occurs when a player other than the centre stands with a foot either inside the face-off circle, on the face-off circle or in the area between the hash marks prior to the dropping of the ball. It is acceptable for the player's stick to be inside the face-off circle but not in the area between the hash marks.

**FACE-OFF:** The action of the Referee in dropping the ball between the sticks of two opposing players to start or resume play. A face-off begins when the Referee indicates the location of the face-off and players take their appropriate positions. It ends when the ball has been legally dropped. All face-offs will be conducted at a face-off dot.

**FLOORING/ICING:** The terms flooring and icing are used interchangeable and refer to the acts governed by rule 65h.

**GAME:** A meeting of two teams playing for a specific length of time, for the purpose of declaring a winner through the scoring of goals. The game consists of regular playing time and overtime, if such is required.

**GAME EJECTION:** When a player has been removed from the game for three or more penalties, this player must leave the area of the players' bench and must in no way direct, coach or assist the team in any manner for the remainder of the game.

**GATHERING:** When one or more players of one team come in close contact with one or more opposing players in such a manner as to create the possibility of a penalty or penalties against one or more of the players.

**GOALTENDER:** A person designated as such on the Official Game Report, who is identified by the use of special and legal equipment and privileges to prevent the ball from entering the net.

**GOALTENDERS' FOOTWEAR:** Footwear specifically designated for use by goaltenders.

**GOLF SHOT:** A “golf shot” is when a player places one or both hands near the top of the shaft and swings the stick in a circular motion, usually 180 degrees. Contact with the ball is not necessary. Golf Shots when warranted are to be penalized under either the High Sticking or Slashing rule.

**HEEL OF THE STICK:** The point where the shaft of the stick and the bottom of the blade meet.  
**HIGH STICKING:** The action of the player carrying the stick or any part of the stick above the normal height of the shoulder.

**HOLDING:** Any action by a player that retards the progress of an opposing player whether or not she is in possession of the ball.

**HOOKING:** The action of using the blade of the stick in a “pulling or tugging” motion to impede the progress of an opponent. The hooking action may apply to any part of an opponent’s body or stick.

**INSTIGATOR:** The player responsible for starting a fight by throwing or attempting to throw the first punch(es).

**KICKING:** The action of a player deliberately using his foot with a kicking motion to contact an opponent, with no intent to play the ball.

**KICK SHOT:** The action of placing the blade of the stick behind the ball and then propelling the ball by kicking the stick.

**OFF-FLOOR OFFICIALS:** Officials appointed to assist the On-Floor Officials in the conduct of the game. They are under the control of the Referee during the game, and include: Official Scorer, Game Timekeeper, Penalty Timekeeper, and two Goal Judges.

**ON-FLOOR OFFICIALS:** The On-Floor Officials are the Referees.

**PENALTY:** The result of an infraction to the rules. Please note Double Minor Penalty refers to Minor Divisions and 4 Minute Minor Penalties refers to Adult Divisions of play.

**PLAYERS:** The members of the team physically participating in a game. Except where special rules apply to him, the goaltender is to be considered a player.

**PLAYERS IN UNIFORM:** Players duly registered on the Official Game Report and attired in the appropriate protective equipment to participate in the game.

**POSSESSION:** The state of a player other than a goaltender who is the last one to have come in contact with the ball.

**PRESIDENT:** Where the word “President” is used in the Rule Book, it shall refer to the President of Canadian Ball Hockey Association Branch or his duly appointed representative for games under the jurisdiction of the branch; otherwise it shall refer to the President of Canadian Ball Hockey Association.

**PROTECTIVE EQUIPMENT:** The equipment worn by a player for the sole purpose of protecting against injury.

**SHORTHANDED:** Shorthanded means that a team is below the numerical strength of its opponent on the floor.

**SLASHING:** The action of hitting an opponent with a stick while holding the stick with one or both hands. Tapping the stick of the ball carrier is not considered slashing if it is for the sole purpose of taking the ball. A player who swings his stick at an opponent and makes no contact shall still be guilty of slashing.

**SLEW FOOTING:** The action of tripping a player by knocking a player’s feet out from behind with a kicking or leg dragging motion.

**SPEARING:** The action of poking or attempting to poke an opponent with the toe of the blade of the stick while holding the stick with one or both hands.

**TEAM OFFICIAL:** The five people clearly identified on the Official Game Report which may include the Coach, Manager, Trainer, Stick Boy, Team Doctor, President and other members of the executive of the team.

**TIME PENALTY:** A penalty which at any time results in a team playing with less than six players on the floor. i.e., Minor, Bench Minor, Major or Match penalty.

## **RULES GOVERNING THE GAME OF BALL HOCKEY**

### **SECTION ONE – THE RINK**

#### **Rule 1. Rink**

Ball Hockey shall be played on an area called a “Rink”.

#### **Rule 2. Rink Dimensions**

- (a) As nearly as possible, the dimensions of the rink shall be 60.96 m (200 ft.) long and 30.48 m (100 ft.) wide. The corners shall be rounded in the arc of a circle with a radius of 8.53 m (28 ft.). (This applies to new rinks only).
- (b) The rink shall be enclosed by the boards, which may be constructed of wood, plastic or fibreglass. Measured from the surface of the floor, the boards shall be no more than 1.22 m (4 ft.) and no less than 1.02 m (3 ft. 4 in.) in height. The surface of the boards facing the floor shall be white and free from any obstruction or object that may cause injury to players. The base plate, of a maximum height of 30.48 cm (12 in.), shall be light (recommend yellow) in colour.
- (c) It is recommended that glass, plexi-glass or other similar material be mounted to the boards, flush to the playing surface, to assist in the prevention of balls going into the spectator areas. Protection is also recommended in front of the off-floor officials’ area. All equipment used to hold the glass or similar material in position, shall be mounted on the boards on the side away from the playing surface.
- (d) It is recommended that no logos or advertising be allowed on the floor in the end zones. Logos must not disrupt or alter any official floor markings as described in this Section One.

#### **Rule 3. Division of Floor Surface**

- (a) On rinks 56.39 m (185 ft.) or more in length, blue lines, 30.48 cm (12 in.) wide, shall be marked on the floor parallel to the goal lines at a point 18.29 m (60 ft.) from each goal line, while the neutral zone shall take up the remaining space in the center floor area. These lines shall extend across the floor surface and vertically on each sideboard and shall be known as the “Blue Lines”. On rinks less than 56.39 m (185 ft.) in length, the blue lines shall be positioned so that they divide the distance between the goal lines into three equal areas.
- (b) Midway between the goal lines, a red line, 30.48 cm (12 in.) wide, shall be marked on the floor and extend vertically up the side boards, parallel to the goal lines. This line shall be known as the “Centre Red Line”.
- (c) That portion of the floor surface in which the goal is situated shall be called the “DEFENDING ZONE” of the team defending that goal; the central portion shall be known as the “NEUTRAL ZONE”, and that portion furthest from the defended goal as the “ATTACKING ZONE”.



**Rule 4. Goal Posts and Nets**

- (a) The goal posts shall be set 1.83 m (6 ft.) apart, measured from the inside of the posts. They shall extend 1.22 m (4 ft.) vertically from the floor surface and a cross bar of the same material as the goal posts shall be extended horizontally from the top of the other posts. The cross bar should be securely fastened to both goal posts. The out- side measurement of both the goal posts and the cross bar shall be 5.08 cm (2 in.) in diameter. The area enclosed by the goal posts and the cross bar shall be known as “the goal”.
- (b) A net of approved design and material shall be attached to the back of each goal.
- (c) The goal posts, cross bar, and the exterior surface of other supporting framework for the goal shall be painted red. The surface of the base plate inside the goal and supports other than the goal post shall be painted in a light colour.

**Rule 5. Goal Crease**

- (a) In front of each goal, a “Goal Crease” area shall be marked by a red line 5.08 cm (2 in.) wide.
- (e) The goal crease shall be laid out as follows: a semi-circle 1.82 m (6 ft.) in radius and 5.08 cm (2 in.) in width shall be drawn using the centre of the goal line as the centre point. The interior colouring of the crease shall be light blue, light yellow or off-white.
- (f) The goal crease area shall include the space outlined by the crease lines and shall extend vertically to the level of the top of the goal frame.

**Rule 6. Centre Floor Spot and Circle**

- (a) A circular blue spot, 30.48 cm (12 in.) in diameter, shall be marked on the floor exactly in the centre of the rink. Using this spot as a centre, a circular blue line, 5.08 cm (2 in.) wide, with a radius of 4.57 m (15 ft.), will then be marked on the floor.

**Rule 7. Face-off Spots in Neutral Zone**

- (a) Two red spots 60.96 cm (2 ft.) in diameter, shall be marked on the floor in the Neutral Zone, 1.52 m (5 ft.) from each blue line, and the same distance from the boards as the end zone face-off spots. Within each face- off spot draw two parallel lines 7.62 cm (3 in.) from the top and bottom of the spot. The area within the two lines shall be painted red, the remainder shall be painted white.

**Rule 8. End Zone Face-off Spots and Circles**

- (a) In both end zones and on both sides of each goal, red face-off spots and circles shall be marked on the floor. The face-off spots shall be 60.96 cm (2 ft.) in diameter and the circles shall have a radius of 4.57 m (15 ft.) from the centre of the face-off spots. The lines of the circle shall be 5.08 cm (2 in.) wide. 5.64 m (18 1/2 ft.) and 6.55 m (21 1/2 ft.) from the goal line and parallel to it, two red lines 60.96 cm (2 ft.) in length and 5.08 cm (2 in.) wide shall be marked on the floor extending from the outer edge of both sides of each face-off circle. The face- off spots shall be 60.96 cm (2 ft.) in diameter. Within each

face-off spot draw two parallel lines 7.62 cm (3 in.) from the top and bottom of the spot. The area within the two lines shall be painted red, the remainder shall be painted white. 30.48 cm (1 ft.) away from the edge of the face-off spot, two lines shall be drawn parallel with the side-boards that shall be 1.22 m (4 ft.) in length and 45.72 cm (18 in.) apart. Parallel to the end boards, commencing at the end of the line nearest to the face-off spot, a line shall extend 86.36 cm (2 ft. 10 in.) in length. All lines shall be 5.08 cm (2 in.) in width.

- (b) The location of the face-off spot shall be fixed in the following manner: Along a line 6.09 m (20 ft.) from each goal line and parallel to it, mark two points 6.71 m (22 ft.) on both sides of the straight line joining the centres of the two goals. Each such point shall be the centre of the face-off spot and circle.
- (c) For rinks under 22.90 m (75 ft.) in width, the face-off circles shall be reduced in circumference so that they do not overlap. A minimum area of 60.96 cm (2 ft.) from the adjacent side boards is to be maintained.

#### **Rule 9. Player's Bench**

- (a) Each rink shall have seats or a bench for the use of each team, to be known as the "Players' Bench". Each players' bench shall accommodate at least fourteen players and shall be placed directly alongside the floor in the neutral zone, as near as possible to the centre of the rink and convenient to the dressing rooms. Whenever possible, a walking space of 91.44 cm (3 ft.) should be left open behind the players' bench (new rinks).
- (b) The gates to the players' bench should be constructed to open away from the floor surface.
- (c) Only players in uniform and a maximum of five team officials shall be permitted to occupy the players' bench. These individuals shall be registered and entered on the Official Game Report. A maximum of five team officials may be recorded on the Official Game Report.
- (d) During a game, Coaches, Managers, Trainers and Stick Boys or other authorized team officials shall be restricted to the use of the area the length of their players' bench, including their team's gate. The penalty for a violation of this rule is a Bench Minor penalty.
- (e) The teams will begin the game at the end opposite to their own bench and will alternate ends at the conclusion of the period.

#### **Rule 10. Penalty Bench**

- (a) Each rink shall have seats or a bench to accommodate eight persons to be known as the "Penalty Bench". It is to be used for the seating of penalized players, the Penalty Timekeeper, the Game Timekeeper and the Official Scorer. The penalty bench should be located a substantial distance from the players' bench.

Note: The penalty box shall be located on the opposite side of the rink from the players' bench, or if this is not possible, at least 6.09 m (20 ft.) from either bench.

- (b) The gates of the penalty box should be constructed to open away from the floor surface, and outside the area known as the Referee's crease. In each rink in which inter-branch play-offs are to be played, there shall be two separate penalty boxes, each having its own gate and designated respectively as "Home" and "Visitor". Adequate arrangements shall be made to physically separate members of the opposing teams. Where the penalty gates are located at unequal distances from centre floor, the gate closest to the centre floor shall be designated for the Visiting Team.

#### **Rule 11. Referee's Crease**

- (a) A red line, 5.08 cm (2 in.) wide, in the shape of a semi-circle and with a 3.05 m (10 ft.) radius shall be marked on the floor immediately in front of the Penalty Timekeeper's seat. The area enclosed by this line shall be known as the Referee's crease.

#### **Rule 12. Signal and Timing Devices**

- (a) Each rink must have a suitable sound system to be used by the Game Timekeeper.
- (b) Each rink must have a clock in order that spectators, players and game officials may be accurately informed as to the time remaining in the game.

**Note:** Where clocks with four faces are in use, the face directly in front of the Game Timekeeper shall govern the time.

- (c) In a suitable location behind each goal, a red light shall be provided for the use of each Goal Judge in signalling the scoring of a goal. Wherever possible, the Canadian Ball Hockey Association recommends that an electric buzzer or bell and a green light be installed in the same location as the red light and that this buzzer or bell and green light be synchronized with the time clock, to provide the Referee with an audible and visual signal for the end of a playing period or game.

**Note:** A goal cannot be scored when the green light is showing.

#### **Rule 13. Dressing Rooms**

- (a) Each rink shall provide a suitable dressing room equipped with a sanitary toilet and shower for the use of the Visiting Team.
- (b) A separate dressing room shall be provided for the use of Referees. It shall be equipped with a sanitary toilet and shower.
- (c) No team official, player or employee of any club may enter any inappropriate discussion with any Referee during or after a game. No person, except the President of the branch or league or their representative, shall be allowed to enter the Official's dressing room. For any infraction of this rule, the matter shall be reported by the Referee to the President of the branch for further action.

**Rule 14. Rink Lightening**

- (a) All rinks shall be lighted so that the players and spectators may clearly follow play.

## SECTION TWO – TEAMS

### Rule 15. Composition of Teams

- (a) A team shall have no more than six players on the floor at any one time while play is in progress. These six players shall be designated as follows: Goaltender, Right Defence, Left Defence, Centre, Right Wing and Left Wing.
- (b) Each player shall wear an individual number of at least 25.40 cm (10 inches) in height on the back of the sweater.

### Rule 16. Players in Uniform

- (a) Each team shall be entitled to a maximum of 22 players in uniform, which includes two goaltenders (some provinces designate 20 players in uniform of which two must be goaltenders), for any game or pre-game warm-up, all of whom shall be duly registered in accordance with the Canadian Ball Hockey Association Regulations. The players duly registered as goaltenders shall be eligible to play as goaltenders only. Teams in interbranch competition must have both goaltenders in uniform and ready to play. A minimum of six eligible players in uniform (not necessarily a goaltender) on each team shall be necessary to start the game.
- (b) Before the start of the game, the Official in charge of each team shall give the Referee or Official Scorer a list of names and numbers of the players and goaltenders to the maximum of 22 who shall be eligible to play in that game. No change in the list or addition to the list shall be permitted after the commencement of the game except:
  - (1) where a player is late and his name has been included on the Official Game Report prior to the game, he will be permitted to participate.
  - (2) when a player has been inadvertently omitted from the Official Game Report, the Referee shall permit the name to be added to the Game Report before the game has ended; providing such player was in uniform and on the floor or on his players' bench at the start of the game.
- (c) Any team official who gives a false statement on the Official Game Report with regard to eligible players, shall be dealt with by the President.
- (d) Each team shall be allowed one goaltender on the floor at one time. The goaltender may be removed and another "Player" substituted. Such player shall not be permitted the privileges of a goaltender.
- (e) No player, other than a goaltender or his replacement shall be permitted to wear the equipment of a goaltender. Note: Teams are allowed to dress two goaltenders, either of whom may be used at the team's discretion.
- (f) When the substitute goaltender enters the game, he shall take his position without delay and no warm-up shall be permitted.

- (g) If both teams are on the floor during the pre-game warm-up, players shall be restricted to their own half of the floor. Where a team violates this rule, the Referee shall report the violation to the President who may take appropriate action.
- (h) No player under suspension may participate in the pre-game warm-up or occupy the players' bench.

#### **Rule 17. Team Roster**

Before the start of the game the Official in charge of the Visiting Team must be the first to list her line-ups on the Official Game Report.

#### **Rule 18. Captain of the Team**

- (a) Each team may appoint a Captain and not more than three Alternate Captains. One of these should be on the floor at all times and only a Captain or Alternate Captain who is on the floor shall have the privilege of asking the Referee for his interpretation of any rule during the progress of the game. Prior to the start of the game, the Manager or Coach of each team shall note on the Official Game Report and advise the Referee or Official Scorer of the names and numbers of the Captain and Alternate Captain(s).
- (b) The captain shall wear the letter "C" and the Alternate Captain(s) the letter "A" in a conspicuous position on the front of their sweaters. The letters should be in a contrasting colour and be approximately 7.62 cm (3 in.) in height. If the letters are not worn, Captain's and Alternate Captain's privileges will not be permitted.
- (c) When the Captain or Alternate Captain receives a penalty, he shall lose all his privileges for the duration of the penalty and must proceed directly to the penalty box. Such players failing to do so will be assessed a Misconduct penalty.
- (d) Goaltenders or a replacement for a goaltender, cannot be selected or named Captain or Alternate Captain.
- (e) A playing Coach or Manager shall be entitled to the privileges of a Captain or Alternate Captain.
- (f) A Minor penalty for delay of game shall be assessed any Captain, Alternate Captain or other player who leaves his players' bench to discuss any interpretation of the rules with the Referee.

#### **Rule 19. Change of Player**

- (a) When play is in progress, not more than six players (including a goaltender) are permitted on the floor at any one time.
- (b) Players may be changed at any time from the players' bench, provided that the player or players leaving the floor shall be at the players' bench [within 3.05m (10 ft.)] and out of play before any change is made.
- (c) A player on the penalty bench who is to be changed after her penalty has been served must proceed by way of the floor and be at the players' bench before any change can be made.
- (d) A team shall be required to place the correct number of players on the floor when

- requested by the Referee. The Visiting Team must be the first to place any playing line- up on the floor to commence play at all times. Each team is allowed only one change of player(s) during a stoppage of play.
- (e) A Bench Minor penalty shall be assessed for a violation of any section of this rule. The penalty shall be served by a player committing the infraction, as covered under Rule 29 – Bench Minor penalties.
  - (f) If, in the last two minutes of regular playing time, or any time in overtime, a Bench Minor penalty is imposed for DELIBERATE illegal substitution, a Penalty Shot shall be awarded against the offending team. The Bench Minor shall not be served. See Rule 55 (e) Note - Delay of Game

**Note 1 :** If in the course of making a substitution, either the player entering the game or the player leaving the game intentionally plays the ball with her stick, feet or hands or intentionally checks or makes any physical contact with an opposing player while the player respectively leaving or entering the game is actually on the floor, then the infraction of “too many players on the floor” shall be called

**Note 2:** If while substituting, either the player entering the play or the player retiring is struck by the ball accidentally, the play should not be stopped, and no penalty shall be called.

**Note 3:** When a goaltender leaves her goal area, and proceeds to the player’s bench for the purpose of substituting another player, she must be within 3.05 m (10 ft) of the bench before the substitute may enter the game. If the substitute is made prematurely, the official shall stop the play when the offending team gains possession and control of the ball. The resulting face-off shall take place at the centre face-off spot unless this gives a territorial advantage to the offending team. In which case the face off will take place at the closet face-off spot to where the stoppage occurred. There shall be no time penalty for making the premature substitution.

- (g) For player changes during stoppages in play, the Referee shall begin the line change procedure as soon as it is safe to do so for the ensuing face-off and then allow a 5 second period during which the Visiting Team may make a player change. After this 5 second period has elapsed, the Referee will raise an arm to indicate that the Visiting Team may no longer change any player(s). With the arm still up, the Referee will allow a five- second period during which the Home Team may make a play- er change. After this five-second period has elapsed, the Referee will drop the arm to indicate that the Home Team may no longer change any player(s).

Where a team attempts to make a player change after their allotted period of time, the Referee shall send the player(s) back to their bench. Any subsequent infraction to this procedure at any time during the course of the game shall incur a Bench Minor penalty under Rule 19 (e).

**Note 1:** Notwithstanding this rule, where play is stopped for a high sticking the ball infraction, the offending team will not be permitted to conduct a line change until play resumes.

- (h) During a line change in a stoppage of play, if there is a scrum or gathering the players coming on the floor must remain at their respective benches until the gathering is dispersed and the referee has indicated for the line change to take place. Failure to remain at the team bench may result in a bench minor penalty being assessed.

## **Rule 20. Injured Players**

- (a) When a player, other than a goaltender, is injured or compelled to leave the floor during a game, he must be replaced by a substitute, and play must continue without the teams leaving the floor.
- (b) If a goaltender goes to the players' bench due to an injury, he shall retire from the floor and his place shall be taken by an alternate goaltender and no warm-up will be permitted. However, this will only apply where an alternate goaltender is dressed. A back up goalie must be dressed in all National Championship and Regional Competitions. In cases where an alternate goaltender is not dressed the injured goaltender will be allowed ten minutes to recuperate. If a replacement is necessary for the injured goaltender, an additional five minutes shall be allowed for a total of fifteen minutes. The injured goaltender must remain out of the game until the next stoppage of play. For a violation of this rule, a minor penalty for Delay of Game shall be assessed.
- (c) Goaltender replacement shall be subject to the rules governing goaltenders and be allowed the goaltender's full equipment. In all Minor Divisions, after a player has been designated as a goaltender, he/she may return to a non-goaltender position.
- (d) When a goaltender is injured, players may be permitted to leave the floor at the discretion of the Referee, but must be ready to resume play immediately, on request by the Referee.
- (e) A penalized player who has to serve a time penalty and who has been injured may proceed to the dressing room, provided he is replaced on the penalty bench by a substitute who was on the floor at the time of the infraction.

A penalized player who does not have to serve a time penalty and who has been injured may proceed to the dressing room without having to be replaced by a substitute on the penalty bench.

For a violation of this rule, a Bench Minor penalty for "Ineligible Player" shall be assessed.

- (f) If an injured penalized player returns to the players' bench before his penalty has expired, he shall take his place in the penalty bench or replace the player substituting for him on the penalty bench during the first stoppage of play. If he takes part in the play before his penalty has expired, he shall be assessed an additional Minor penalty for "Ineligible Player".
- (g) When a player is injured so that he cannot continue to play or go to his bench, the play shall not be stopped until the injured player's team has secured possession and control



of the ball. If the injured player's team is in possession of the ball at the time of the injury, the play shall be stopped immediately unless his team is in scoring position, at which time the Referee shall allow the play to be completed.

**Note 1:** Where there is suspicion that a player has sustained a serious injury, the Referee may stop the play immediately.

**Note 2:** Where play has been stopped due to an injured player, excluding the goaltender, the injured player shall leave the floor and may not return to the floor until the play has resumed. If the player refuses to leave the floor, a Delay of Game penalty shall be assessed.

## SECTION THREE – EQUIPMENT

### MEASUREMENT GUIDELINES

1. The measurement of any equipment (players' and goal-tenders' sticks, goaltenders' pads and gloves) shall be carried out immediately when requested by a team through the Captain or Alternate Captain(s). No measurements of any kind will be carried out by the Referee unless a formal request has been made by a team, using the proper procedure.
2. If the complaint for any measurement of sticks or equipment is not sustained, the complaining team will be assessed a Bench Minor penalty.
3. Only one measurement of any kind will be allowed per stoppage of play.
4. Any illegal equipment shall be removed, corrected, or adjusted without any unnecessary delay.
5. Where a measurement of a stick is requested by a Captain or Alternate Captain, then she then she must designate to the Referee what specific part of the stick is to be measured.
6. No goal then she must designate to the Referee what specific part of the stick is to be measured.

#### Rule 21. Sticks

The intent of this rule is to only permit the use of conventional sticks. Any special changes, deviations or innovations require review and approval by the Canadian Ball Hockey Association's Board of Directors.

- (a) All sticks (including goaltenders' sticks) may be made of wood, fibreglass, or aluminum and/or any other material approved by the Canadian Ball Hockey Association's Board of Directors. They must not have any projections, pockets, netting or other similar contrivance designed to give the player or goaltender undue assistance in the playing of the game. The end of the shaft of all sticks must be covered to protect against injury. In the case of hollowed shaft sticks, the of the shaft must have a protective cap as well as being covered to protect against injury.
- (b) The stick shall not exceed 1.60 m (63 in.) from the heel to the end of the shaft, and 31.75 cm (12 1/2 in.) from the heel to the end of the blade. The blade of the stick shall not be less than 5.08 cm (2 in.) (within 1.27 cm (1/2 in.) of the end) nor greater than 7.62 cm (3 in.) in width.
- (c) The goaltender's stick shall not exceed 1.4 m (55 in.) from the heel to the end of the shaft. The blade of the goaltender's stick shall not exceed 8.89 cm (3 1/2 in.) in width at any point nor be less than 7.62 cm (3 in.), except at the heel where it must not exceed 11.43 cm (4 1/2 in.) in width; the goaltender's stick shall not exceed 39.37 cm (15 1/2 in.) in length from the heel to the end of the blade. The width portion of the goaltender's stick extending up the shaft from the blade shall not exceed 66.04 cm (26 in.) in length,

calculated from the heel, and shall not exceed 8.89 cm (3 1/2in.) nor be less than 7.62 cm (3 in.) in width.

- (d) A Minor penalty shall be assessed any player, including the goaltender, for using a stick which does not conform to the provisions of this rule.
- (e) A Minor penalty and a Misconduct penalty shall be assessed any player who deliberately breaks a stick when asked to produce the same stick for measurement or who refuses to surrender her stick for measurement.
- (f) When requested, the Referee shall take the stick to be measured to the Referee's crease at the penalty bench, where the appropriate measurement will be made using a tape measure or stick gauge.
- (g) The stick may be wound with any colour tape.

## **Rule 22. Footwear**

- (a) Hockey footwear shall be of a design approved by the Canadian Ball Hockey Association's Board of Directors.
- (b) Goaltenders are permitted to wear footwear with hard shell toed protector.

## **Rule 23. Goaltender's Equipment**

- (a) All equipment worn by the goaltender must be constructed solely for the purpose of protection of the head or body and must not include any garment or contrivance which would give the goaltender undue assistance in keeping goal. Abdominal aprons extending down the thighs on the outside of the pants are prohibited.

**Note 1:** Protective padding attached to the back of, or forming part of the goaltender's blocker glove shall not exceed 20.3 cm (8 in.) in width nor 40.6 cm (16 in.) in length. Any measurement exceeding 20.3 cm (8 in.) measured anywhere across the full length of the wrist area, or more than 40.6 cm (16 in.) anywhere on the length constitutes an illegal blocker glove.

**Note 2:** The base of the goaltender's catching glove shall be restricted to a maximum of 22.9 cm (9 in.) in width, which is to include any attachments added to that glove. The length of the catching glove is restricted to a maximum of 40.6 cm (16 in.) Any measurement exceeding 22.9 cm (9 in.) measured anywhere across the full length of the wrist area, or more than 40.6 cm (16 in.) anywhere on the length constitutes an illegal glove. The maximum circumference of the legal goaltenders catching glove cannot exceed 122 cm (48 in.) (see Appendix "B" for diagram). The lacing or webbing or other material joining the thumb and index finger of a goaltender's glove, or any cage, pocket or pouch created by this material, must not exceed the minimum amount of material necessary to fill the gap between the thumb and the index finger when they are fully

extended and spread. Any other pocket, pouch or contrivance added to the glove by a manufacturer or otherwise is not acceptable and makes the glove illegal.

**Note 3:** The binding and/or stitching at the edges of both goaltender's gloves shall not be included in the measurement of either the length or width.

**Note 4:** When a request for a measurement of a goaltender's glove has been made the team shall state the glove that is to be measured and whether it is to be the length or width of the glove.

(b) Goaltender's pads shall not 35.5 cm (14 in.) in width as measured on the goaltender and shall not be altered in anyway.

**Note 1:** Ball foil (a plastic piece attached to the bottom of goaltender's pads designed to stop the ball) is considered to be illegal equipment.

**Note 2:** Rules 23(a) and (b).

For the purposes of these rules, sliders attached to goal- tender pads are permitted for use if they meet the following guidelines:

1. Sliders must be permanently attached to the goal- tender's pads in such a way that they cannot be easily removed and pose no risk of coming off during play. Strap on products is not permitted.
  2. Sliders must be made of solid plastic or other similar material and must not contain any balls, bearings or beads. Rollerfly is not permitted.
  3. If the sliders are attached using screws or bolts, the heads of the screws or bolts must be counter sunk so as to be below the plastic portion of the slider. If the screws or bolts become loosened, and extend above the top of the plastic, the sliders are no longer permitted.
  4. The sliders must have rounded or beveled edges. Sliders with sharp or pointed corners are not permitted.
  5. Sliders which are broken or in a state of disrepair are not permitted. Referees can refuse to let a goaltender play with any equipment deemed to be dangerous under Rule 25.
  6. Sliders are considered to be part of the pad when measuring the width and as such must not make the pad wider than 35.5 centimeters (14 inches) as per Rule 23(b).
- (c) A Minor penalty shall be assessed a goaltender guilty of using or wearing illegal equipment.
- (d) A goaltender shall remove her face protector for purpose of identification, if so asked by the Referee. A goaltender who refuses this request shall be assessed a Gross Misconduct penalty.

**Rule 24. Protective Equipment**

- (a) All protective equipment except gloves, shin pads, head gear, or goaltenders' leg pads, must be worn entirely under the uniform. Leather elbow patches on the outside of the sweater and palm less gloves are prohibited. After one warning by the Referee, a Minor penalty for Illegal Equipment shall be imposed on the offending player for any subsequent violation of this rule.

**Note 1 :** If short sleeve sweaters are worn, then elbow pads are prohibited.

**Note 2 :** It is mandatory for all minor ball hockey players to wear protective shin pads.

- (b) While on the floor, including pre-game warmups, all players, including goaltenders, shall wear a CSA approved hockey helmet, to which a CSA approved facial protector must be securely attached and not altered in any way. Any alteration to a CSA approved helmet or facial protector automatically destroys the certification. Facial protection is recommended in men's and woman's ball hockey and mandatory (full face mask) in minors.

The chin straps of the helmet shall be securely fastened under the chin. The straps of the facial protector, when designed to allow such straps, shall also be securely fastened to the hockey helmet.

For violations during pre-game warmups, the Referee shall report the infraction on the official game report to the President.

It is mandatory that players purchasing new facial protectors follow these guidelines:

**Note 1:** Players shall remove their helmet during the playing of the national anthem(s).

**Note 2:** The wearing of a CSA approved facial protector or visor for all players in all divisions is recommended. In all divisions of Minor Ball Hockey a full facial protector is compulsory.

**Note 3:** Goaltenders in all divisions of hockey shall be required to wear a CSA approved hockey helmet to which a CSA approved facial protector has been securely attached and not altered in any way.

Please note that some models of goaltender masks and most cages do not have a CSA sticker on the outside, in particular *Eddy Mask* and *Itech*, although they have been certified for hockey use. These pieces are clearly marked with model numbers. If there is any doubt, the player should be instructed to acquire and maintain documentation from the CSA or manufacturer which lists the model(s) as certified. In the interim, the referee may conduct a simple test to determine its safety. If the blade of a legal hockey stick cannot penetrate the cage, in particular the eye-holes, to a depth that would cause injury, then the cage is considered safe enough for use in a ball hockey game.

Facemasks that are clearly in disrepair (signs of disrepair include bent bars, missing straps) due to damage or long-term wear should be prohibited at the referee's discretion.

**Note 4:** All players while on the players' and/or penalty bench must wear their approved helmet and facial protector securely attached. Any goaltender on the bench, as a minimum, is required to properly wear the same protective head equipment as the players (Adult men option- al). For a violation of this section of the rule, a warning shall be issued to the team. The second and subsequent violations by the same team will result in a Minor penalty being assessed against the offending team.

**Note 5:** All helmets will be considered legal for ball hockey use under the following guidelines:

Any ice hockey helmet that was originally CSA approved at its time of purchase that has not been physically altered with paint, or protruding clips, or in any other way that is deemed dangerous to the player wearing the helmet or any other player.

Helmets that are clearly in disrepair (signs of disrepair include missing interior foam, cracks in the helmet, missing straps, straps that have been replaced with tape or laces) due to damage or long-term wear, should be prohibited at the referee's discretion.

Application of stickers or removal of ear guards will not render a helmet unusable for CBHA play.

- (c) Should the helmet of a player come off while play is in progress, such player shall replace the helmet (properly fastened) or shall proceed to the players' bench for a substitution. If such a player participates in the play in any manner without his helmet, the play must be stopped immediately, and the player assessed a Minor penalty. The penalty shall be assessed for participating in the play without the proper protective equipment and recorded on the Official Game Report as "ineligible player". When a goaltender loses his helmet and/or facial protector, play shall be stopped immediately. Any such deliberate action by the goaltender shall result in a Minor penalty for "Delay of Game". If this deliberate action (by a player or goaltender) occurs when an opponent is on a breakaway in the neutral or attacking zone or occurs during the last two minutes of regular playing time, or any time in overtime, a Penalty Shot shall be awarded to the non-offending team. If a player deliberately removes his helmet to fight or to challenge an opponent to fight, he will be assessed a Gross Misconduct penalty.
- (d) Where a player wears a helmet and/or facial protector in an offset position during play, the team of the offending player shall receive one warning. Any subsequent infractions by the same team will result in a Misconduct penalty assessed to that player.
- (e) If the Referee's attention is drawn to the possibility that a facial protector or helmet may not be certified (CSA approved), or if the Referee observes that a facial protector or helmet may not be certified, and should that piece of equipment in effect turn out not to be certified, the Referee shall assess a Minor penalty and at the same time order that illegal piece of equipment removed from the game.

**Note 1:** The Referee is empowered to make the call without his attention being

drawn by an opposing player or team official, through the captain.

**Note 2:** The Referees' Case Book contains detailed procedures to follow in the case of a player having to serve a penalty for a non-certified helmet or facial protector.

**Note 3:** Procedures for dealing with players who do not have CSA approved helmets or visors.

- i. Identify the piece of equipment that is illegal (not CSA approved).
  - ii. Both officials shall approach the player (in an area that is in clear view of team officials) to inform the player the specific piece of equipment does not conform to CSA standards. They are not allowed to participate in the game with illegal equipment.
  - iii. If a helmet, facial protector or visor is not CSA approved, the player is not allowed to remain on the player's bench until they receive proper equipment. Also, they are not allowed to swap helmets with other players while play is in progress or during stoppages of play.
- (f) For divisions where facial protectors and visors are optional, the Canadian Ball Hockey Association strongly recommends the use of internal mouth guards.
- (g) The wearing of gloves is mandatory. Wearing ice hockey gloves is recommended.

**Note 1:** The Referees shall determine the legality of any equipment. Referees are required to err on the side of safety and when there is a doubt about the legality of a piece of equipment, referees should require the player to find alternate equipment. The referee's decision shall be final for the purposes of the game in question, but further clarification may be sought from the responsible referee in chief after the conclusion of the game.

**Note 2:** Where the referee notices more than one player with illegal gloves on the floor at the same stoppage of play, the referee shall point out all offending players at the same time. This mass warning shall constitute the warning. Only once play resumes shall a subsequent infraction result in the assessment of a minor penalty. Where players from both teams are wearing illegal gloves, the referee shall warn both players and teams at the same stoppage of play. Referees are encouraged to give the warnings under this section prior to the start of the game if players are wearing illegal gloves in the pre-game warmup.

**Note 3:** The use of palm-less gloves is not permitted. Gloves may have worn palms from normal wear, provided fingers are not exposed. Finger portions may be repaired with tape to cover any exposure on the under-side.

**Note 4:** Gloves may not be altered in any way to leave the wrists exposed. Gloves that are equipped with laces or other forms of enclosure to provide coverage of the wrist MUST have the laces present and fastened securely to provide protection to the wrists. Absolutely no modifications to a glove will be deemed permissible.

## CLARIFICATIONS

1. If a player undoes his chin strap in order to incite or challenge an opponent, that player shall be assessed a Misconduct under Rule 47(e).
2. If a player undoes his own chin strap for any reason including the intention to challenge or incite an opponent to fight, that player shall be assessed a Gross Misconduct. No Misconduct would be necessary in this case.
3. If neither player removes the helmet or undoes the chin strap prior to the fight, but the helmets come off during the fight, one of three situations are possible:
  - a) If the Referee determines that the helmet(s) came off incidentally during the fight, no penalties under Rule 24(c) need to be assessed.
  - b) If the Referee determines that a player deliberately pulled his opponent's helmet off during the fight, the Referee shall assess a Gross Misconduct Penalty.
  - c) If a player grabs the opponent's helmet or facial protector and uses this to gain an advantage or to inflict punishment or injury, the Referee shall assess a Match Penalty under Rule 49(d).
4. If players undo each others' chin straps and/or remove each others' helmets prior to the start of the fight in an effort to circumvent this rule, the Referee shall assess both players Gross Misconduct penalties, plus any other penalties that they incur, under Rule 33(b) for making a "travesty of the game".

### Rule 25. Dangerous Equipment

- (a) The use of pads, protectors or sticks likely to cause injury to a player are prohibited.
- (b) No player is permitted to wear a sweater or pants modified or altered to gain an advantage or compromise safety.
- (c) All elbow pads which do not have a soft protective covering of sponge, rubber, or a similar material at least 1.27 cm (1/2 in.) thick shall be considered dangerous equipment.
- (d) The use of supplemental oxygen is prohibited.
- (e) For a violation of this rule a warning shall be issued to the team. Any subsequent violations to any player on the same team shall result in a Minor penalty to the offending player.

**Note:** The Referee has the authority to prohibit a player from participating in the game while using or wearing any equipment that she considers dangerous to a player or game official.

### Rule 26. The Ball

The ball shall be made of plastic or other approved material. It shall be 7.62 cm (3 in.) in diameter and weigh not less than 156 g (5 1/2 ounces) and not more than 170 g (6 ounces) and shall be orange in colour. For all games played under the jurisdiction of the Canadian Ball Hockey Association, it is recommended the official Canadian Ball Hockey Association ball be used. Some leagues may use a lighter ball for the Tyke and Novice levels of play where it shall be 7.62 cm (3 in.) in diameter and may weigh not less than 113.4 g (4 ounces) and be clearly identified.

#### Note – Team Colors



Each team shall declare its colours to the President or Governor of its league at the beginning of each season. If these colours are accepted, they may not be changed during the season without the approval of the League President or Group Governor.

In inter-branch competition, it will be the responsibility of the Home Team to change its sweater if the colours of the competing team's conflict. The decision in this matter shall be left to the Referee in charge of the game.

## SECTION FOUR – PENALTIES

### Rule 27. Penalties

- (a) Penalties shall be in actual playing time, and are divided into the following classes:
1. 2 & 4 Minute Minor Penalties
  2. Bench Minor Penalties
  3. Major Penalties
  4. Misconduct Penalties
  5. Game Ejection
  6. Game Misconduct Penalties
  7. Gross Misconduct Penalties
  8. Match Penalties
  9. Penalty Shot
- (b) Any player or team official may be assessed penalties at any time before, during, or after a game, when an offense is committed on the floor or off the floor before entering the dressing rooms. Any altercations occurring off the floor must be reported to the President on the official game report by the referee. A player who is assessed any penalty in the pre-game warm-up shall automatically have her name placed on the Official Game Report and be counted as one of the eligible players, as per Rule 16 (a) and (b) - Players in Uniform.
- Note 1:** The maximum of 5 players per team being assessed Game Misconducts (as per Rule 70 (c) Note 1- Leaving the Players' or Penalty Bench) also applies to the pre-game warm-up.
- Note 2:** Any unnecessary contact between opposing players after the whistle shall result in penalties being assessed as prescribed by the rules.
- (c) Where the rules state that the Manager or Coach shall designate a player to serve a penalty and the Manager or Coach refuses to name a player, the Referee shall name any player of the offending team to serve the penalty.
- (d) Where penalties are assessed to players of both teams at the same time, the penalized players of the Visiting Team shall take their position in the penalty bench first, in the place designated for the visiting players. Where there is no special designation, they must take a position on the bench furthest from the gate.
- (e) Any player, including the goaltender, shall be ejected from the game if they receive 3 penalties of any kind in the game (Rule 32 - Game Ejection). The offending team shall be required to place a substitute player on the penalty bench to serve any time penalty. The substitute player will be permitted to return to the playing surface after the penalty time has elapsed.

**Note 1:** For the purposes of this rule, a double minor / 4-minute minor for Butt-Ending, Spearing, High Sticking, Cross-Checking, Slashing, Head-Butting and Head Contact will only count as one (1) penalty towards the 3-Penalty rule.

**Rule 28. 2 & 4 Minute Minor Penalties**

- (a) For a Minor penalty, any player, except a goaltender, shall be ruled off the floor for two minutes of actual playing time, during which time no substitutes shall be permitted.
- (b) If, while a team is short-handed because of one or more Minor or Bench Minor penalties, the opposing team scores a goal, the first of such penalties shall automatically terminate.

Note: Coincident Minor penalties to both teams do not cause either team to be short-handed.

When a goal is scored on a Penalty Shot against a team that is short-handed by reason of a Minor or Bench Minor penalty, no player of the short-handed team shall return to the floor with the scoring of the goal.

- (c) When a player is assessed both a Minor and Major penalty at the same time, the Major penalty shall be served first. The same principle will apply when a player is assessed both a Minor and Match penalty at the same time. The five-minute time penalty which accompanies the Match penalty is to be served first. See Rule 38 (e).
- (d) If a goal is scored against a team that is short-handed because of one or more Minor penalties, the player serving the Minor penalty with the least amount of time shall return to the floor. In the case of a player who has received a double Minor penalty, his first Minor penalty shall be terminated.
- (e) When coincident Minor or coincident Minors of equal duration are imposed against players on each team during the same stoppage of play, immediate substitutions shall be made for those penalties, and such penalties shall not be taken into account for the purpose of the delayed penalty. Any differences in time or total penalty time shall be served by one or more players on the floor at the time of the infraction. Unless they have been ejected from the game, such penalized players shall take their place on the penalty bench and remain there until the first stoppage of play following the expiry of their respective penalties. Where at least one Major and/or Match penalty is assessed to each team during the same stoppage of play, the coincident Major/Match penalty rule shall take precedent over the coincident Minor penalty rule.
- (f) A four-minute minor penalty will be assessed to any player who commits any of the following infractions: Butt-Ending (Rule 49, f), Cross-Checking (Rule 54), Head-Butting (Rule 49, b), Head Contact (Rule 86, b), High Sticking (Rule 62), Slashing (Rule 79), and Spearing in a poking or jabbing motion (Rule 49, g). When such a penalty is assessed, the penalized player will be required to serve the full 4 minutes of penalty time before returning to the playing surface. Should the opposing team score a power play goal as of the result of the 4-minute minor penalty the penalty will be over, but the player will serve the remaining time like a Misconduct Penalty and returning to the playing surface at the first stoppage of play once the time has expired.

**Rule 29. Bench Minor Penalties**

- (a) A Bench Minor penalty requires the team against which the penalty is assessed to play a man short for a period of two minutes of actual playing time.
- (b) Whenever a Bench Minor penalty is to be assessed according to the rules, if the player guilty of the actual infraction is identified by the Referee, that player shall serve the penalty except when such identified player is already on the penalty bench serving a penalty. However, if the player is not identified, then the Manager or Coach of the penalized team, through the playing Captain, shall designate any player of her team on the floor at the time of the infraction to serve the penalty.

**Rule 30. Major Penalties**

- (a) Any player, goaltender or Team Official incurring a Major penalty and a Game Misconduct penalty, shall be ordered to the dressing room for the remainder of the game, and shall be reported to the President for further action. The Manager or Coach of the penalized team, through the playing Captain, shall designate any player of her team on the floor at the time of the infraction to serve the penalty.
- (b) When coincident Major and/or Match penalties or coincident penalties of equal duration including a Major or a Match are imposed against players on each team during the same stoppage of play, immediate substitutions shall be made for those penalties, and such penalties shall not be taken into account for the purpose of the delayed penalty. In the case where the penalized players remain in the game, they shall take their place on the penalty bench and shall not leave until the first stoppage of play following the expiry of their respective penalties.

When the coincident Major/Match penalty rule is applied and there is a differential in the total time penalties, those penalties causing the differential shall be served first in the normal manner and shall be taken into account for the purpose of applying Rule 28 (b) - Minor penalties and Rule 38 - Delayed penalties. Any time difference or differential in the total time penalties must be served by a player (or players) on the floor at the time of the infraction.

- (c) The Referee in charge shall report to the President any player who incurs a second Major penalty within ten minutes of the game's conclusion.

**Rule 31. Misconduct Penalties**

- (a) A player, except a goaltender, incurring a Misconduct penalty, shall be ruled off the floor for a period of ten minutes actual playing time. A substitute for the penalized player shall be permitted immediately. A player serving a Misconduct penalty shall remain on the penalty bench until the first stoppage of play following the expiry of her penalty. When a player is assessed a Minor and a Misconduct penalty or a Major and a Misconduct penalty at the same time, the penalized team shall immediately place a substitute player on the bench to serve the Minor or Major penalty. The Misconduct penalty will commence on the termination of the Minor or Major penalty.
- (b) The Referee in charge shall report to the President any player who is assessed a

game Misconduct penalty with- in ten minutes of the conclusion of the game.

- (c) Any player who is assessed a second Misconduct penalty in the same game shall automatically be assessed a Game Misconduct penalty.

**Rule 32. Game Ejection/Game Misconduct Penalties**

- (a) A player incurring a Game Ejection penalty in accordance with Rule 27(e) - Penalties, shall be ordered to the dressing room for the remainder of the game.
- (b) A player or team official incurring a Game Misconduct penalty shall be ordered to the dressing room for the remainder of the game and shall be reported to the President for further action. A substitute for the penalized player shall be permitted immediately.
- (c) Any player or team official who is assessed a Game Misconduct penalty in regular time, or any time in over- time, or at the conclusion of the game and prior to the player or team official entering his/her dressing room, shall automatically be suspended for a minimum of the next regular league/play-off game. A total of ten minutes shall be charged in the records against the penalized player for a Game Misconduct.

**Rule 33. Gross Misconduct Penalties**

- (a) Any player or team official incurring a Gross Misconduct penalty shall be ordered to the dressing room for the remainder of the game and shall be reported to the President for further action. A substitute for the penalized player shall be permitted immediately.
- (b) Gross Misconduct penalties shall be assessed where a person conducts herself in such a manner as to make a travesty of the game.
- (c) Any player or team official who is assessed a Gross Misconduct penalty in regular time, or any time in overtime, or at the conclusion of the game and prior to the player or team official entering his dressing room, shall automatically be suspended for a minimum of the next two regular league/play-off game. A total of ten minutes shall be charged in the records against the penalized player for a Gross Misconduct.

**Rule 34. Match Penalties**

- (a) Any player or team official incurring a Match penalty shall be ordered to the dressing room immediately, for the balance of the game, and will not be permitted to take part in any further games until his case has been dealt with by the President.
- (b) In every instance where a Match penalty has been assessed, the offending player's team shall be required to send a player to the penalty box for five minutes. The player who serves the five minutes must have been on the floor at the time of the infraction. Where an offending player has been assessed penalties in addition to the Match penalty, those penalties will be served by the same player who serves the five-minute

penalty. This section would not apply in the case of the coincident Major or Match penalty rule.

Note: Referees are required to report all Match penalties and the surrounding circumstances to the President immediately following the game involved. THIS IS IMPORTANT.

- (c) [NEW] Any player or team official who is assessed a Match penalty in regular time, or any time in overtime, or at the conclusion of the game and prior to the player or team official entering his dressing room, shall automatically be suspended for a minimum of the next five regular league/play-off games.

### **Rule 35. Penalty Shot**

- (a) Any infraction of the rules which calls for a Penalty Shot shall result in the following: The Referee shall cause to be announced over the public address system the name of the player designated by her or selected by the team entitled to take the shot (as appropriate) and shall then place the ball on the centre face-off spot and the player taking the shot will, on instruction of the Referee, play the ball from there and shall attempt to score on the goaltender. The ball must be kept in motion towards the opponents' goal line and once it is shot the play is to be considered complete. No goal can be scored on a rebound of any kind and any time the ball crosses the goal line, the shot shall be considered complete. The "Spinerama" move is acceptable on a Penalty Shot as long as the ball is kept in continuous motion.
- (b) The goaltender must remain in her goal crease until the designated player touches the ball at centre floor, and in the event of a violation of this rule, the player designated or selected to take the shot shall be entitled to take the shot over again.

The goaltender may attempt to stop the shot in any manner except by throwing her stick or any other object, or deliberately dislodging the goal, in which case a Goal shall be awarded.

**Note 1:** No player other than the goaltender is permitted to tend goal during a Penalty Shot.

- (c) In cases where a Penalty Shot has been awarded under Rule 24 (c) - Protective Equipment (deliberate removal of helmet or facial protector during a breakaway), Rule 55 (d) - for Delay of Game (Goaltender deliberately dislodging the goal during a breakaway), Rule 82 (a) - Throwing Stick (at ball or ball carrier), Rule 85 (d) - Tripping (fouling from behind), and Rule 70 (e) - Leaving the Players or Penalty Bench (ineligible player), the Referee shall designate the player who has been fouled as the player who shall take the Penalty Shot. If by reason of injury, the player designated by the Referee to take the Penalty Shot is unable to do so or again if the player fouled is not identifiable, the Penalty Shot shall then be taken by a player who was on the floor at the time of the infraction and is selected by the Captain of the non-offending team and her selection reported to the Referee. In cases where a Penalty Shot has been awarded under Rule 55 (e) - Delay of

Game, Rule 58 (c) - Falling on the Ball (in the goal crease) and Rule 61 (c) - Handling the Ball (in the goal crease), the Penalty Shot may be taken by a player selected by the Captain of the non-offending team and her selection reported to the Referee. This player must be on the floor at the time of the infraction.

- (d) Should the player in respect to whom a Penalty Shot has been awarded, herself commit a foul in connection with the same play or circumstances after the Penalty Shot has been awarded, she shall first be permitted to take the Shot before being sent to the penalty bench to serve the penalty, provided the penalty assessed was not a Game Ejection, Game Misconduct, Gross Misconduct or Match penalty. If at the time a Penalty Shot is awarded, the goal-tender of the penalized team has been removed from the floor to substitute another player, the goaltender shall be allowed to return to the floor before the Penalty Shot is taken.
- (e) While the Penalty Shot is being taken, players of both sides shall withdraw to the sides of the floor and beyond the centre red line.
- (f) If, while the Penalty Shot is being taken, any player of the opposing team shall have by some action interfered with or distracted the player taking the Penalty Shot, and because of such action the shot should have failed, a second attempt shall be permitted and the Referee shall assess a Misconduct penalty to the player. If the interference is from a team official, a Game Misconduct penalty shall be assessed.
- (g) If a goal is scored from the Penalty Shot, the ball shall be faced-off at centre face-off spot in the usual way. If the goal is not scored, the ball shall be faced-off at either end zone face-off spot in which the Penalty Shot was attempted.
- (h) Should a goal be scored from a Penalty Shot, a further penalty to the offending player shall not be applied unless the offense for which the Penalty Shot was awarded was such as to incur a Major or Match penalty, in which case the penalty prescribed for the particular offense shall be assessed. If the offense for which the Penalty Shot was awarded was such as would normally incur a Minor penalty, then regardless of whether the Penalty Shot results in a goal or not, no further Minor penalty shall be served.
- (i) A measurement of the stick of the player designated to take the Penalty Shot may be requested before the shot is taken, as if it were a normal play. Should the stick prove illegal, the offending team shall be denied the Penalty Shot and no further penalty shall be imposed. Should the measurement prove the stick to be legal, the Penalty Shot shall be taken in the normal manner and the penalty for an "unsustained request for a measurement" shall be assessed whether the Penalty Shot is successful or not.
- (j) If the foul upon which the Penalty Shot is based occurs during actual playing time, the Penalty Shot shall be awarded and taken immediately in the usual manner notwithstanding any delay occasioned by a delayed whistle by the Referee to permit the play to be completed, which delay results in the expiry of the regular playing time in any period. The time required for the taking of a Penalty Shot shall not be included in the regular playing time or any overtime.
- (k) In all instances where a penalty shot has been awarded it must be recorded on the gamesheet. The player's number committing the foul will be recorded under the penalty section of the offending team. Penalty shot fouls will count towards the 3-penalty game ejection rule.

(l) Note : Also refer to :

Rule 24 (c)	Rule 58 (c)	Rule 82 (a)
Rule 55 (d)	Rule 61 (c)	Rule 85 (d)
Rule 55 (e)	Rule 70 (e)	

### **Rule 36. Awarded Goals**

- (a) A "Goal" will be awarded to the attacking team when the opposing team has taken their goaltender off the floor and an attacking player has possession and control of the ball on a breakaway in the neutral or attacking zone without a defending player between himself and the opposing goal and:
- (1) Player is interfered with by an opposing player who has illegally entered the game or,
  - (2) a stick or any other object is thrown by a player on the defending team or,
  - (3) the ball carrier is fouled from behind and prevented from having a clear shot on the open goal or,
  - (4) any member of the defending team including the team officials, whether on the players' bench or penalty bench, interferes by means of his body, stick or any other object with the ball or the ball carrier.
- (b) A Goal will be awarded to the attacking team when the opposing team has taken their goaltender off the floor and when a shot has been taken (control no longer applies) and a defending player picks up the ball with his hand from the goal crease or intentionally falls on or covers the ball in the crease with his hand, thereby preventing an obvious and imminent goal.
- (c) A Goal will be awarded when the goaltender is removed from the floor and he, or any teammate, has deliberately placed an obstacle at or near his net, or has deliberately dislodged the net from its moorings, when any such action has prevented a goal from being scored.

### **Rule 37. Goaltender Penalties**

- (a) No goaltender shall be sent to the penalty bench for an infraction which incurs a Minor, Major or Misconduct penalty. Instead, such a penalty shall be served by any player of her team who was on the floor at the time of the infraction. Such player shall be designated by the Manager or Coach of the penalized team through the captain. Unless the penalty being served is a time penalty, any player serving a penalty on behalf of a goaltender shall leave the penalty box if the offending goaltender is subsequently ejected from the game.
- (b) An alternate goaltender may replace a regular goal- tender who has been ejected from the game or has been assessed a Game Misconduct, Gross Misconduct or a Match penalty. In the event there is no alternate goal- tender recorded on the playing line-up, the regular goal- tender's place may be taken by any player on the Game Report



designated by the Manager or Coach of the penalized team through the captain. Such substitute will be allowed fifteen minutes to put on the full goaltender's equipment.

- (c) When a goaltender leaves her goal crease during a fight, she shall be assessed a Minor penalty, plus any other penalties she incurs.
- (d) When a goaltender leaves her goal crease to join in a fight, act as a peacemaker, or take part in another fight, during the same stoppage of play, she shall receive a Game Misconduct penalty, plus any other penalties she incurs.
- (e) If a goaltender intentionally participates in the play in any manner when she is beyond the centre red line, she shall be assessed a Minor penalty.
- (f) A Minor penalty shall be assessed a goaltender who, after catching the ball, drop kicks the ball. If injury results, a Major penalty and a Game Misconduct penalty shall be assessed.

### **Rule 38. Delayed Penalties**

- (a) If a third player of any team shall be penalized while two players of the same team are serving penalties, the penalty time of the third player shall not commence until the penalty time of one of the two penalized players has elapsed. Nevertheless, the third player penalized must at once proceed to the penalty bench but shall be replaced on the floor by a substitute until such time as the penalty time of the penalized player shall commence.
- (b) When a team has three players serving penalties at the same time and while due to the delayed penalty rule a substitute for the third player is on the floor, none of the three penalized players on the penalty bench may return to the floor until play has been stopped. When the play has been stopped, the player whose full penalty has expired may return to the play.
- (c) When the penalties to the player or players have expired and the penalized team is entitled to more than four players on the floor, the Penalty Timekeeper shall permit the penalized players to return to the floor in the order of the expiry of their penalties. When the penalties of two players from the same team expire at the same time and the team is entitled to only one additional player on the surface the players shall return to the surface in the order in which their penalties were reported.
- (d) In cases where Minor penalties are assessed at the same time to more than one player from the same team, those penalties shall be served in order of occurrence. Rule 38 (d) does not apply when the coincident Minor penalty rule is applied.
- (e) When a Major penalty and a Minor penalty are assessed at the same time against two different players of the same team, the Penalty Timekeeper shall record the Minor as being the first penalty assessed. (See Rule 28 (c)).
- (f) All penalties shall be reported on the Official Game Report including any delayed penalties that may be in effect when the opposing team scores a goal. This is for the purpose of the 3-Penalty rule. The individual who committed the foul will have the offence noted on the Official Game Report with no time being served. If the foul

committed by the offending player was their third penalty of the game, they shall be ejected from the game.

### **Rule 39. Calling of Penalties**

- (a) If a player on the team in possession of the ball commits an infraction of the rules which would call for a Match, Major, Misconduct, Bench Minor or Minor penalty, the Referee shall blow her whistle immediately and give the penalty(ies) to the deserving player(s). When this situation leads to a time penalty or multiple time penalties being placed on the clock to (1) team, making the team shorthanded, the ensuing face-off shall be conducted at one of the end zone face-off locations in the offending team's defending zone. There are four (4) exceptions:
- (1) When a penalty is assessed after a goal, the face-off will take place at centre floor.
  - (2) When a penalty is assessed at the end (or before the start) of a period, the face-off will take place at centre floor,
  - (3) When a gathering is taking place following a stop- page of play leading to a penalty or penalties against the defending team and one (1) or both defencemen, point players or any player coming from the players' or penalty bench of the attacking team, enters deeply into the attacking zone (the top of the circles being the limit) the ensuing face-off will take place in the neutral zone at one of the face-off spots outside the offending team's defending zone (see rule 57 (j)).
  - (4) When the non-offending team clears the ball and flooring/icing is called, the ensuing face-off will take place at one of the face-off spots in the neutral zone outside of the defending zone of the team that floored/iced the ball.

**Note 1:** When a time differential occurs because of multiple penalties, the ensuing face-off will take place in the shorthanded team's defending zone. In the case of multiple penalties when no time differential occurs, the ensuing face-off will take place at the face-off spot nearest to where the stoppage of play occurred, unless otherwise stated in the rules.

**Note 2 :** Where this rule refers to a team being short- handed, that refers to the outcome of the penalties assessed on the particular stoppage of play. For example, if the home team is serving a time penalty and a time penalty is assessed to the visiting team on a subsequent stoppage, the visiting team is considered to be "shorthanded" as a result of the penalties assessed on that particular play even though the teams will play 4 on 4 when play resumes. In this situation, the face-off would occur in the visiting team's defending zone.

- (b) If a player on the team not in possession of the ball commits an infraction of a rule which would call for a Match, Major, Misconduct, Bench Minor or Minor penalty, the Referee shall signal the penalty by extending her arm straight up. The Referee shall blow her whistle and stop play immediately when the offending team gains possession and control of the ball.

**Note 1:** The play is not considered completed un the offending team gains possession and control of the ball. The resulting face-off shall be where the play was stopped, unless during the period of the delayed penalty call against the side not in possession, the side in pos- session floors the ball, shoots the ball from its own zone so that it goes out of bounds

or is unplayable then the face-off following the stoppage of play shall take place at the face-off spot in the neutral zone nearest the defending blue line of the team shooting the ball. If the penalty to be assessed is a Minor penalty and a goal is scored on the play by the non-offending side, the Minor penalty shall not be assessed, but OTHER Minor, Bench Minor, Major, Match and Misconduct penalties shall be assessed in the normal manner, regardless of a goal being scored.

**Note 2:** If after the Referee has signalled a penalty, but before the whistle has been blown, a member of the non-offending team shall put the ball in her own net in any manner through no contact by the offending team, the goal shall be allowed, and the penalty signalled shall be assessed in the normal manner.

If the Referee signals a Minor or Bench Minor penalty(ies) against a team that is shorthanded by reason of one or more Minor or Bench Minor penalties, and a goal is scored by the non-offending side before the whistle is blown, the goal shall be allowed and the player who is serving the first Minor or Bench Minor penalty will return to the floor, while the signalled penalty(ies) shall be assessed and served in the normal manner.

- (c) If further infractions are committed by the same offending player, either before or after the Referee blows her whistle, that player shall serve the penalties consecutively.
- (d) The Referee has the right to stop play immediately in the case of a Match penalty. The resulting face-off will be where the play was stopped, unless the stoppage occurred in the offending player’s attacking zone, in which case the face-off is brought out to the neutral zone.

**Examples of 4 Minute Coincidental Penalties**

EXAMPLES	W	X	Y	Z	REMARKS
<b>Number 1</b>					Immediate substitution for W and X
Team A	4				
Team B		4			
<b>Number 2</b>					Immediate substitution for W, X and Y
Team A	2		2		
Team B		4			
<b>Number 3</b>					Immediate substitution for X  Team A will play short-handed for 2 min. with a player from the floor serving W's penalty.  W will serve the full 4 minutes (like a Misconduct)
Team A	4				
Team B		2			

Number 4					Immediate substitution for W, X, Y and Z
Team A	4		2		
Team B		2		4	

### Examples of Coincidental Penalties

EXAMPLES	W	X	Y	Z	REMARKS
<b>Number 1</b>					Immediate substitution for W and X
Team A	5 + GM				
Team B		5 + GM			
<b>Number 2</b>					Players from floor serves Player W minor, Team A short for 2 minutes
Team A	2 5 + GM				
Team B		5 + GM			
<b>Number 3</b>					Immediate substitution for W, X, Y and Z
Team A	5 + GM		5 + GM		
Team B		5 + GM		5 + GM	
<b>Number 4</b>					Team A plays short-handed for five minutes, immediate substitution for X
Team A	5 + GM 5 + GM				
Team B		5 + GM			
<b>Number 5</b>					Team A plays short-handed for 2 minutes, immediate substitution for X, Y, and Z
Team A	2 5 + GM		5 + GM		
Team B		5 + GM		5 + GM	
<b>Number 6</b>					Immediate substitution for W and X.
Team A	2 5 + GM				
Team B		2 5 + GM			
<b>Number 7</b>					Team B plays short-handed for five minutes. Immediate substitution for W and either X or Z (order of occurrence).
Team A	5 + GM				
Team B		5 + GM		5 + GM	
<b>Number 8</b>					Substitution for X after 2 minutes immediate Substitution for W.
Team A	2 5 + GM				
Team B		2 2 5 + GM			

<b>Number 9</b>					Immediate substitution for W, X, and Y.
Team A	2		5 + GM		
Team B		2		5 + GM	
<b>Number 10</b>					Substitution for either X or Z after 5 min. (order of occurrence). Substitution for Y after 4 min. Immediate substitution for W and X or Z (order of occurrence).
Team A	2 5 + GM		2 2 5 + GM		
Team B		2 5 + GM		5 + GM 5 + GM GM	
<b>Number 11</b>					Substitution for X after 7 minutes immediate substitution for W, Y and Z.
Team A	2 5 + GM		5 + GM		
Team B		2 2 5 + GM		5 + GM 5 + GM GM	
<b>Number 12</b>					Substitution for W after 2 minutes immediate substitution for X, Y, and Z.
Team A	2		2 2		
Team B		2		2	

Criteria for using both coincidental minors and majors “MOTO”

1. M Cancel as many penalties as possible.
2. O Cancel in a way to make them only One player short.
3. T Cancel in a way to avoid Taking an extra player off the floor.
4. O Cancel using the order of Occurrence, or the order that the penalties were reported by the Referee.

**Note:** Start by cancelling majors, then do minors.

## SECTION FIVE – THE OFFICIALS

### Rule 40. Appointment of Officials

- (a) Pour les matchs éliminatoires inter divisions, le président de l'Association canadienne de hockey-balle ou son représentant dûment nommé désignera deux arbitres. Il désignera également un chronométreur de jeu, un chronométreur de pénalités, un marqueur officiel et deux juges de but.
- (b) Les arbitres et les officiels hors-surface doivent être traités avec courtoisie à tout moment par les joueurs et les officiels de l'équipe. Toute infraction à cette règle sera signalée au président, qui pourra imposer des sanctions nécessaires.
- (c) Deux arbitres doivent être sélectionnés pour les matchs qui se déroulent dans leur propre division.
- (d) L'arbitre a toute autorité et prend la décision finale sur toutes les questions en litige. Sa décision sera finale sur toutes les questions de jugement et ne pourra pas faire l'objet d'un appel.
- (e) Un arbitre ne sera pas utilisé dans les séries éliminatoires de l'Association canadienne de hockey-balle à moins d'être recommandé par écrit par sa division, par l'entremise de son président, à l'officier responsable de l'Association canadienne de hockey-balle.
- (f) Tous les arbitres opérant dans la juridiction de l'Association canadienne de hockey-balle doivent être affiliés et sous le contrôle de la branche dans laquelle ils officient.

### Rule 41. Referees

- (a) The Referees are the official representatives of the Canadian Ball Hockey Association or branch of the Canadian Ball Hockey Association in which the game is being played. They shall be in full control of the players on and off the floor. Off-floor Officials and the Officials connected with the competing clubs and the Referee will be backed to the limit in all legitimate circumstances.
- (b) The Referee shall see that the teams are called to the floor at the appointed time for the commencement of each game, and at the start of each regulation and over-time period. The Referee shall remain on the floor at the conclusion of each period, and any overtime, until the players have proceeded to their dressing rooms.
- (c) The Referee shall check the equipment worn by any player when requested to do so by the Manager or Coach of either team through the captain on the floor.
- (d) The Referee shall assess all penalties as prescribed by the rules for infractions thereof. The Referee shall stop the play for any infraction within their jurisdiction.
- (e) The Referee shall give the final decision in the matter of disputed goals, after having consulted with his partner and the Goal Judge involved.
- (f) Before starting the game, the Referee shall see that the appointed Game Timekeeper, Penalty Timekeeper, Official Scorer and Goal Judges are in their respective positions.
- (g) The Referee shall announce to the Official Scorer the duration of the penalties and the rule infractions involved, and also to whom the goals and assists are credited.
- (h) The Referee shall, when possible, see that players of the opposing teams are separated on the penalty bench to prevent feuding.

- (i) After each game, the Referee shall check and sign the Official Game Report and return it to the Official Scorer.
- (j) Should an official accidentally leave the floor or receive an injury which would affect her duties while play is in progress, the play shall be stopped.
- (k) If for whatever reason, the Referees appointed are prevented from appearing, the Managers or Coaches of the two competing clubs shall agree on Referees. If they are unable to agree, they shall appoint a player from each team who shall act as officials.
- (l) If the regularly appointed officials appear during the progress of the game, they shall replace the temporary officials immediately.
- (m) If a Referee appointed is unable to act at the last minute, or if through sickness or accident, she is unable to finish the game, the Referee in charge shall have the power to appoint another in her place, if she feels it is necessary.
- (n) The Referees in charge shall be thoroughly impartial parties.
- (o) While on the floor, all Referees shall be garbed in black trousers or shorts, a sweater with a branch or league crest sewn on. During all inter-branch play-off games and international competition, Referees shall be garbed in black trousers or black shorts, a black and white striped sweater with either the branch or the Canadian Ball Hockey Association crest sewn on.
- (p) Referees are required to report on the Official Game Report or separate Penalty Report Form, all Match, Gross Misconduct and Game Misconduct penalties, immediately following the game, giving full details to the President. During inter-branch competition, the Referee is required to contact Canada Ball Hockey Association's Officer in charge of discipline, immediately following the game.
- (q) Referees shall check the goal and nets before the start of the game and at the end of each period. The Referee shall check the goal lights, timing device, and floor markings. If the floor markings are not in accordance with the Canadian Ball Hockey Association Rules, it must be reported to the President.  
The official method of refereeing in all Canadian Ball Hockey Association sanctioned games is with two Referees.

#### **Rule 42. Referees**

- (a) The approved method of officiating all CBHA games is the two-official system. The Referees shall have the authority to stop play when:
  - (1) off-side violations occur at the blue line or when flooring violations occur.
  - (2) the ball goes outside the playing surface or when it is interfered with by an ineligible person.
  - (3) more than the correct number of players are on the floor and the team committing the infraction has possession of the ball.

- (4) the ball has been illegally batted with the hand from one player to a teammate.
  - (5) a player strikes the ball with a high stick.
  - (6) the goal net has been displaced from its normal position.
  - (7) it appears that a player has sustained a serious injury.
  - (8) A penalty is to be assessed and the offending team gains possession and control of the ball.
- (b) Where an official is unexpectedly late or is injured during the first game of a day's schedule, the game may be permitted to start and/or conclude with one official.
- (1) Where an official remains unexpectedly absent or injured for the balance of the day's schedule, the league may continue its day's games using a 3-official system with the Referee present being assisted by two volunteers who will act as linesmen for the purposes of off-sides and flooring (icing) only. The Referee will be the only official eligible to assess penalties. The volunteers will be appointed by a league representative or by the Referee on the floor must be a member of the CBHA (the volunteer must be a registered: player, coach, team staff member or league staff member).
  - (2) Youth Divisions of play under the age of 13 may be permitted to use only one Referee for house league play.

#### **Rule 43. Goal Judges**

- (a) There shall be one Goal Judge behind each goal. The Goal Judges shall not be members of either competing team, nor shall they be replaced during the progress of the game, unless it becomes apparent that either Goal Judge, on the account of partisanship or any other cause, is guilty of giving unjust decisions. In such cases, the Referees in charge may appoint another Goal Judge to act in her place.
- (b) Each Goal Judge shall be stationed in the designated area behind each goal for the duration of the game, and she shall not change ends at any time after the game begins. Her jurisdiction is limited to that game only.
- (c) In the event of a goal being claimed, the Goal Judge shall decide whether or not the ball has passed between the goal posts and entirely over the goal line. Their decision will simply be "goal" or "no goal".

#### **Rule 44. Penalty Timekeeper**

- (a) The Penalty Timekeeper shall keep the time served by each penalized player during the game and, upon request, inform the penalized player as to the unfinished time of his penalty.
- (b) If a player leaves the penalty bench before his time has expired, the Penalty Timekeeper shall note the time and signal that to the Referee, who will stop the play as soon as possible.
- (c) Where public address systems are used, the Penalty Timekeeper shall announce or have announced the name of each penalized player, the nature of the offence and the time the penalty was assessed.



**Rule 45. Official Scorers**

- (a) The Official Scorer shall enter on the "Official Game Report" a correct record of the goals scored, by whom they were scored and to whom assists, if any, are to be credited. She shall also keep a correct record of all penalties assessed, stating the names and numbers of the penalized players, the duration of the penalty, the infraction, and the time when the penalties were assessed.
- (b) The Official Scorer shall request that all affiliated players dressed for the game, be designated on the Official Game Report by the use of the symbols "AP" after their name (in a similar manner to that used to designate the Captain and Alternate Captains). They shall be players not signed to a regular card of the club with which they are playing.
- (c) At the completion of each game, the Official Scorer shall sign the Official Game Report herself, and then have the Referees sign it. They shall then forward the Game Report to the Secretary of the branch or league involved.
- (d) Prior to the start of the game, the Official Scorer shall obtain from the Manager or Coach of each team their complete lineups, verified and signed by the TEAM OFFICIAL IN CHARGE. The Captain and Alternate Captains of each team shall be noted on the Official Game Report.
- (e) The Official Scorer shall submit the complete line-up of the competing teams to the Referee, in her dressing room prior to the start of the game and shall draw to her attention any case which she feels does not comply to the rules.
- (f) The Official Scorer shall advise the Referee when the same player has received her second Misconduct penalty, or her third penalty of any kind (as per Rule 28 (f)) during the same game.
- (g) Where a public address system is in use, the Official Scorer shall announce, or have announced, immediately following the scoring of each goal, the name of the player who scored the goal and the name of each player who received an assist.

**Rule 46. Game Timekeeper**

- (a) The Game Timekeeper shall record the start and finish time of each game and all actual playing time during the game.
- (b) The Game Timekeeper shall signal the Referee for the commencement of the game, the start of the second and for each overtime period. If the rink is not equipped with an automatic sound device, or if this equipment should fail to operate, the Game Timekeeper shall, by means of a siren or whistle, signal the end of each period, each overtime period and the end of the game.
- (c) The Game Timekeeper shall announce or have announced when ONE MINUTE of actual playing time remains in each regulation or overtime period.
- (d) In the event of any dispute regarding time, the matter shall be referred to the Referee in charge and his decision shall be final.

## SECTION SIX – PLAYING RULES

### **Rule 47. Harassment of Officials, Unsportsmanlike Conduct/Misconduct**

Team officials shall be responsible for their conduct and that of their players at all times. They must endeavor to prevent disorderly conduct before, during or after the game, on or off the floor and any place in the rink. The Referee may assess penalties to any of the above team officials for failure to do so and shall report full details of the incident to the President.

(a) A Minor penalty shall be assessed to any player or team official who challenges or disputes the rulings of any official during the game or who displays unsportsmanlike conduct.

If a player or goaltender persists, she shall be assessed a Misconduct penalty and any further disputes will result in a Game Misconduct penalty being assessed to the offending player or goaltender. If a team official persists, she shall immediately be assessed a Game Misconduct penalty.

A Referee is not required to assess a Minor penalty under this rule before assessing the Misconduct or Game Misconduct but may assess either of these penalties initially.

(b) A Misconduct penalty shall be assessed on any player who:

(1) uses obscene, profane or abusive language or gestures to any person.

(2) persists in disputing or shows disrespect for the ruling of any official.

(3) intentionally knocks or shoots the ball out of reach of an official who is retrieving it.

A player who, after receiving a Misconduct penalty, persists in any of the actions of (b) above, shall be assessed a Game Misconduct penalty.

**Note:** In the case of a team official, a Bench Minor penalty shall be assessed instead of a Misconduct penalty. A team official after receiving a Bench Minor penalty will receive a Game Misconduct penalty if the actions continue. A Referee is not required to assess a Bench Minor penalty under this rule before assessing a Game Misconduct penalty.

(c) If the Referee is unable to identify the person responsible for the use of obscene, profane or abusive language, a Bench Minor penalty shall be assessed the offending team.

(d) A Misconduct penalty shall be assessed any player who does not proceed immediately and directly to the penalty bench when she has been penalized. Where the penalized player causes any delay by returning for her equipment (gloves, sticks, etc...), the Misconduct penalty shall apply. The equipment shall be delivered to her on the penalty bench by a player of her team on the floor at the time of the infraction.

**Note:** It shall be necessary to place a substitute on the penalty bench. Such substitute may return to the floor as soon as the Misconduct penalty to the offending player commences.

(e) A Misconduct penalty shall be assessed to any player who shows any course of conduct (including threatening and abusive language or gestures or similar actions) designed to incite an opponent into incurring a penalty. Any player who removes his helmet to incite an opponent would also receive a Misconduct under this rule.

(f) Any player or team official who engages in verbal taunts, insults or intimidation based on discriminatory grounds (race, ethnicity, religion, gender, sexual orientation, language)

shall be assessed a Game Misconduct penalty. Notwithstanding the above, at the discretion of the Referee, a Gross Misconduct penalty may be assessed for any infraction to any player or team official.

Note: Officials must complete a game report and report to the President any penalty incurred under Rule 47 (f).

- (g) A Misconduct penalty shall be assessed any player or players who, except for taking her position on the penalty bench, enters or remains in the Referee's crease while the Referee is reporting to or consulting with any game official, Timekeeper, Penalty Timekeeper, Official Scorer or Announcer.
- (h) Where a team official has been assessed a Game Misconduct penalty under this rule, the Referee shall report the individual in full details to the President, who may assess further penalties.
- (i) A Bench Minor penalty shall be assessed a team where any player or team official on the bench protests an official's ruling through verbal or physical gestures that may be considered disrespectful in any way, or who bangs the boards or playing surface with a stick or any other object in protest of the ruling.

Note: When the penalty is assessed against a player on the penalty bench, another player from the floor must serve the Bench Minor penalty.

- (j) When the player on the floor commits the infraction described in (i), the Unsportsmanlike Conduct penalty shall be assessed.

#### **Rule 48. Adjustment of Equipment**

- (a) A Minor penalty shall be assessed any player who delays the game for adjustment of any equipment.
- (b) The onus of maintaining equipment in proper condition shall be upon the player. If adjustments are required, the player must leave the floor and play shall continue uninterrupted, using a substitute.
- (c) A goaltender may not delay the game unnecessarily to adjust his equipment, during a stoppage of play, unless he has received permission from the Referee and remains in the goal area. If a goaltender goes to the players' bench to adjust any equipment he shall retire from the floor and his place shall be taken by the alternate goaltender and no warm-up will be permitted. However, this would only apply where an alternate goal-tender is dressed. The alternate goaltender must remain in the game until play resumes. For a violation of this rule, a Minor penalty for Delay of Game shall be assessed.

**Note:** A goaltender may not go to the player's bench at any time during a stoppage of play unless he is being replaced by a substitute.

**Rule 49. Attempt to Injure or Deliberate Injury**

- (a) A Match penalty shall be assessed any player or team official who deliberately attempts to or deliberately injures an opponent, official, team official or spectator in any manner.
- (b) A Match penalty shall be assessed any player or team official who head-butts or attempts to head-butt an opponent with force or who injures an opponent with this action. A 4-minute minor penalty shall be assessed any player who head-butts or attempts to head-butt an opponent but no injury results. A 4-minute minor penalty and a Gross Misconduct shall be assessed any team official who head-butts or attempts to head-butt an opponent but no injury results.
- (c) A Match penalty shall be assessed any player or team official that attempts to kick or deliberately kicks an opponent.
- (d) A player who pulls an opponent's hair or who grabs the facial protector, helmet, or chin strap of an opponent and uses this to gain an advantage or to inflict punishment or injury shall be assessed a Match penalty. A player who grabs an opponent's hair, facial protector, helmet, or chin strap, but does not use it to gain an advantage or to inflict punishment or injury shall be assessed a 4-minute minor penalty or at the discretion of the referee a Major and a Game Misconduct penalty.
- (e) A Match penalty shall be assessed any player who uses her facial protector as a weapon.
- (f) A Match penalty shall be assessed any player or team official who deliberately butt-ends or deliberately attempts to butt-end an opponent by jabbing her forcefully with the butt-end of the stick, or who injures an opponent by any butt-ending action. At the discretion of the Referee, a 4-minute minor penalty shall be assessed to any player who attempts to butt-end an opponent with the butt-end of her stick. A 4-minute minor penalty and a Gross Misconduct shall be assessed to any team official who attempts to butt-end an opponent with the butt-end of her stick.
- (g) A Match penalty shall be assessed any player or team official who deliberately spears or deliberately attempts to spear an opponent by jabbing her forcefully with the toe of the blade of the stick, or who injures an opponent by any spearing action.
- (h) A 4-minute minor penalty shall be assessed any player who pokes or jabs or attempts to jab an opposing player with the toe of the blade of the stick. A 4-minute minor penalty and a Gross Misconduct shall be assessed any team official who pokes or jabs or attempts to jab an opposing player with the toe of the blade of the stick.
- (i) A Match penalty shall be assessed any player who deliberately attempts to or deliberately injures an opponent with a slash, high-stick or cross-check.

**Rule 50. Boarding and Body-Checking**

- (a) A Minor penalty or, at the discretion of the Referee, a Major penalty and a Game Misconduct penalty, based upon the degree of violence of the impact with the boards, shall be assessed any player who body checks, cross-checks, elbows, charges or trips an opponent in such a manner that causes the opponent to be thrown violently into the boards. If a player is injured a Major penalty and a Game Misconduct penalty must be assessed.
- (b) A Minor penalty or, at the discretion of the Referee, a Major penalty and a Game Misconduct penalty shall be assessed any player who, in the opinion of the Referee,

intentionally body checks, bumps, shoves or pushes any opposing player. If a player is injured, a Major penalty and a Game Misconduct penalty must be assessed. When the offensive player is running towards the defensive player, the defending player may not hit the offensive player by going in the opposite direction to that player. The body contact must be as a result of the movement of the offensive player. There must be no action where the offensive player is pushed, checked or shoved into the boards. Where, in the opinion of the Referee, accidental contact has taken place, no penalty shall be assessed.

#### **Rule 51. Broken Stick**

- (a) A player or goaltender without a stick may participate in the game. A player or goaltender whose stick has been broken must drop the broken portions to the floor immediately. A Minor penalty shall be assessed for an infraction of this rule.

**Note:** When a player discards the broken portions of a stick by tossing them to the side of the rink (not over the boards) in such a way that they do not interfere with play or opposing players, no penalty shall be assessed.

- (b) A player who has lost or broken her stick may only receive another stick at her own players' bench or be handed one from a teammate on the floor and may not receive a stick thrown on the floor from any part of the rink. A Minor penalty shall be assessed for an infraction of this rule.

**Note:** A player tendered a stick from the bench (players' or penalty) thrown on the floor, who does not pick up the stick, will not receive a penalty. The person responsible for throwing the stick will receive a penalty, as covered in Rule 66 (d) - Interference.

- (c) A goaltender who breaks or loses her stick may use a stick of a player handed to her by a player until the next stoppage of play. In this case the players' stick will not be considered an illegal stick. A goaltender may not continue to play with a broken stick of any kind.
- (d) A goaltender may receive a stick from a teammate without proceeding to her player's bench providing the stick is handed to her. A goaltender receiving a stick illegally shall be assessed a Minor penalty.
- (e) A goaltender may not go to the players' bench during a stoppage of play for a replacement of her stick but must receive her stick from a teammate. For a violation of this section, a Minor penalty for Delay of Game shall be assessed the goaltender.

#### **Rule 52. Charging**

- (a) A Minor penalty or, at the discretion of the Referee, a Major penalty and a Game Misconduct penalty shall be assessed to any player who runs or jumps into or charges an

opponent. If injury results, a Major penalty and a Game Misconduct penalty shall be assessed.

**Note:** If more than two steps or strides are taken, it shall be considered a charge.

- (b) A Major penalty and a Game Misconduct penalty shall be assessed any player who charges a goaltender while the goaltender is within his crease or who injures an opponent as a result of a charge.

**Note:** A goaltender is not “fair game” just because he is outside the goal crease area. A penalty for interference (Minor or, at the discretion of the Referee, a Major penalty, and a Game Misconduct penalty) or charging (Minor or, at the discretion of the Referee, Major penalty and a Game Misconduct penalty) shall be called where an opposing player makes unnecessary contact with a goaltender. Likewise, Referees should be alerted to penalize goaltenders for tripping, slashing, or spearing in the vicinity of the goal.

### **Rule 53. Checking from Behind**

- (a) A Minor penalty and a Game Misconduct penalty or a Major penalty and a Game Misconduct at the discretion of the Referee, based on the degree of violence of the impact; shall be assessed any player who intentionally pushes, body checks, or hits an opposing player from behind, anywhere on the floor.

If a player is injured, a Major penalty and a Game Misconduct penalty must be assessed. A Match penalty could also be assessed under this rule.

- (b) Where a player is high sticked, cross-checked, body- checked, pushed, hit or propelled in any manner from behind into the boards or goal net, in such a way that the player is unable to protect or defend herself, a Match penalty shall be assessed.

**Note:** Referees are instructed not to substitute other penalties when a player is checked from behind in any manner. This rule must be strictly enforced.

### **CLARIFICATIONS**

1. Checking From Behind entails that contact with the player being checked takes place in the back part of the body.
2. Where a player about to be checked turns and, as a result, creates contact with the back, a penalty shall be assessed to the player delivering the check for Checking from Behind.
3. The intent of this interpretation is not to penalize a player who comes up behind an opponent and in the process of playing the ball, makes unintentional contact with the back part of the body of the player being checked.
4. Riding off, pinching or rubbing a player shall be permitted as long as no intentional contact occurs to the back of that player, except as provided under Rule 50 (b) - Boarding and Body Checking, in all minor divisions.

The determining factor for Checking from Behind versus cross-checking is whether or not the player applying the check is in motion. If the player is stationary and cross-checks an opponent from behind then a penalty for Cross-Checking should be assessed. If the player is in motion

and Cross- Checks an opponent from behind, then a penalty for Checking from Behind shall be called. Notwithstanding the aforementioned, if a player is cross-checked from behind into the boards or the goal net, the Checking from Behind shall be called.

### **ADDITIONAL GUIDELINES TO ALL OFFICIALS**

*There are sufficient rules in the Canadian Ball Hockey Association Rule Book to cover most situations that may lead to spinal injuries. Referees should be aware of the tragic consequences of such injuries and strictly enforce the rules in situations such as the following:*

- 1. Where a player along the boards, with her head down looking for the ball or “digging the ball out”, is hit from behind and driven headfirst into the boards with the head and neck in a flexed position.*
- 2. Where a player in the process of checking an opponent swings the elbow and forearm out with the intent of throwing the opponent into the boards.*
- 3. Where a player “kicks” or “pulls” an opponent’s feet out from behind and then pushes the player into the boards.*

*Calling the penalty after the injury has occurred may be too late for that injured player. Only through Referees being consistent in calling this type of infraction with strict enforcement, will players and team officials realize the danger factor in committing such types of fouls. Everyone connected with the game is aware of the tragedy of a spinal injury with resulting paralysis. It is the responsibility of players, team officials and Referees to make every attempt possible to reduce the incident of this frightful injury. Team officials can teach players legitimate methods of checking an opponent, while players can be educated to the dangers of checking an opponent illegally. The Referee has the responsibility to penalize players who illegally check an opponent. If the Referees are consistent and strict in calling infractions that may lead to spinal injuries, then hopefully, along with the cooperation of players and team officials, the chances of a player suffering such injuries can be significantly reduced.*

### **Rule 54. Cross-Checking**

- (a) A 4-minute minor penalty or, at the discretion of the Referee, a Major penalty and a Game Misconduct penalty shall be assessed any player who cross-checks an opponent.*
- (b) Any player who strikes an opponent above the normal height of his shoulders with a cross-check shall incur a Major penalty and a Game Misconduct penalty, whether or not injury results.*
- (c) A Major penalty and a Game Misconduct penalty shall be assessed any player who cross-checks a goaltender while he is in his crease.*
- (d) A Major penalty and a Game Misconduct penalty shall be assessed any player who injures an opponent as a result of a cross-check.*
- (e) A Match penalty shall be assessed any player who deliberately injures an opponent with a cross-check.*

**Rule 55. Delay of Game**

- (a) A Bench Minor penalty shall be assessed a team which, in the opinion of the Referee, is deliberately delaying the game in any manner. A Minor penalty shall be assessed to any goaltender who shoots or bats the ball out of the playing surface with her stick.

**Note 1:** When the goaltender shoots the ball directly out of the playing surface where there is no glass, such as at the players' bench or penalty bench, or if the ball touches the glass or deflects off a player or official, no penalty shall be assessed.

**Note 2:** This penalty will also be assessed to any player or goaltender who shoots the ball out of the playing surface with her stick during a stoppage of play.

**Note 3:** Referees must be strict in enforcing the rules where a team is deliberately stalling, freezing the ball, shooting the ball out of the playing surface, the goaltender holding the ball or throwing it out of the playing surface, or the team committing a "SERIES of FLOORING", thereby forcing a face-off.

- (b) Any player who leaves her players' bench to deliver instructions to her teammates and does not remain on the floor as a substitute, will be assessed a Minor penalty.
- (c) Any deliberate action by a defending player, including the goaltender, in their defending zone which results in the goal net being knocked from its position, shall constitute an act of deliberate delay of game. If this action occurs in the last two minutes of regular playing time, or any time in overtime, a Penalty Shot shall be awarded against the offending team and the Minor penalty shall not be served.
- (d) A Penalty Shot shall be awarded should the goaltender, by deliberate action, dislodge the goal net from its position when a player is on a breakaway in the neutral zone or attacking zone.
- (e) If in the last two minutes of regular playing time, or any time in overtime, a team is penalized for any of the following infractions, a Penalty Shot shall be awarded against the offending team: Deliberate Illegal Substitution - Rule 19 (f), Protective Equipment – Rule 24 (c), Deliberately Knocking the Goal Net from its Position - Rule 55 (c), Refusing to Start Play - Rule 78 (e).

**Note:** In overtime, a Penalty Shot shall be assessed under this rule, except in the case of Rule 78 (a) - Refusing to Start Play, in which case a Penalty Shot and a Major Penalty shall be assessed.

- (f) A Bench Minor penalty shall be imposed upon any team which, after a warning by the Referee, fails to place the correct number of players on the floor and commence play.

**Rule 56. Elbowing and Kneeing**

- (a) A Minor penalty or, at the discretion of the Referee, a Major penalty and a Game Misconduct penalty shall be assessed any player who fouls an opponent in any manner with his elbow or knee.



- (b) A Major penalty and a Game Misconduct penalty shall be assessed any player who injures an opponent by elbowing or kneeling.

#### **Rule 57. Face-offs**

- (a) A face-off shall take place when the Referees drop the ball on the floor between the sticks of the players facing-off. The players taking the face-off shall stand squarely facing their opponents' end of the rink, approximately one stick length apart with the full blade of the sticks flat on the floor. All other players on both teams must be at least 4.57m (15 ft.) from the players taking the face-off and they must be on-side. When the face-off takes place at any of the face-off spots in the end zones, the players taking part in the face-off shall take their positions so that they will stand squarely facing their opponents' end of the rink, and clear of the face-off restraining lines.

The sticks of both players facing-off shall have the toe of the blade touching within the designated white area and the player of the Visiting Team shall place her stick within the designated white area first. All other players on the floor must position themselves and their sticks on side. If a player, other than the player taking the face-off, moves off-side, makes physical contact with an opponent or encroaches on the face-off circle prior to the dropping of the ball, then the offending team's player taking the face-off shall be ejected from the face-off.

**CLARIFICATION:** On all face-offs the ball must first hit the floor before the players can make a play on the ball. Once the ball has hit the floor the player must first play the ball with her stick without contacting her opponent. Failure to execute a face-off in this manner will result in encroachment being called against the offending player and the face-off will be repeated.

- (b) All face-offs will be conducted at the one of the nine face-off spots located on the playing surface (The rationale behind this rule is to allow proper face-offs on the designated face-off spots on the floor).

No player facing-off shall make any physical contact with her opponent's body by means of her own body or by her stick, except in the course of playing the ball, after the face-off has been completed.

For a violation of this rule, the Referee shall assess a Minor penalty or penalties on the player(s) whose action(s) caused the physical contact.

**Note:** "Conduct of a face-off" commences when the Referee designates the face-off spot on one of the nine dots on the playing surface and takes her position to drop the ball.

- (c) When a team commits a face-off infraction (late arrival, not immediately taking a proper position, early movement), the Referee shall require where possible for this face-off, the replacement for the player ejected from the face-off shall be any other player on the floor that has not committed a face-off infraction during the same stoppage of play.

- (d) A team committing a second violation of any of the provisions of Section (a) during the same face-off will be assessed a 2-minute minor penalty for “face-off violation” by the Referee.
- (e) When an infringement of a rule has been committed or a stoppage of play has been caused by an attacking player in her attacking zone, the ensuing face-off shall be in the neutral zone at the nearest face-off spot.

**Note:** This includes a stoppage of play caused by a player of the attacking side shooting the ball on the back of the defending teams’ net without any intervening action by the defending team.

**Note 2:** Face-offs following the assessment of a penalty are to be conducted in accordance with Rule 39(a)

- (f) When an infringement of any rule has been committed by players of both teams, the ensuing face-off shall be at the nearest end zone face-off spot based on the cause of the stoppage of play and not related to the location of the ball when play was stopped.

Note: Face-offs following the assessment of a penalty are to be conducted in accordance with Rule 39(a)

- (g) All face-offs in the neutral zone shall be conducted at the designated face-off spots as dictated by reason for the stoppage of play. The face-off location to be used will be one of the two face-off spots nearest the offending team’s blue line in the neutral zone, thus causing a loss of territorial advantage to the offending team.  
When players of both teams cause the stoppage of play the face-off will take place at nearest neutral zone face-off spot to where the stoppage occurred and not related to the location of the ball when play was stopped.
- (h) When any stoppage of play in the end zone is caused by a defending player or the goaltender the ensuing face-off shall take place the nearest end zone face-off spot based on the cause of the stoppage of play and not related to the location of the ball when play was stopped.
- (i) When a goal is illegally scored as a result of the ball being deflected off the Referee DIRECTLY into the net, the face-off shall take place at the nearest end-zone face-off spot.
- (j) When one or both defensemen, point players or any player coming from the players’ or penalty bench of the attacking team, enter deeply into the attacking zone (the top of the circle being the limit) when a gathering is taking place following a stoppage of play, the ensuing face-off shall take place at the nearest face-off spot in the neutral zone, near the blue line of the defending team.
- (k) Face-offs at the Centre face-off spot will only be conducted: at the start of each period, following the scoring of a goal, an error on flooring, or premature substitution of the goaltender in accordance with Rule 19 (f) Note 3.

**Rule 58. Falling on the Ball**

- (a) A Minor penalty shall be assessed any player except a goaltender, who deliberately falls on or gathers the ball into his body by any means, while standing or lying on the floor.
- (b) A Minor penalty shall be assessed any goaltender who, while outside his crease, deliberately falls on or gathers the ball into his body or holds or places the ball against any part of the goal, thus delaying the game unnecessarily.
- (c) A Penalty Shot shall be awarded against the offending team when a defending player (except the goaltender) deliberately falls on the ball, holds or gathers the ball into his body in any manner, or picks up the ball with his hand, while the ball is within his goal crease. No other penalty shall be assessed.

**Note 1:** If the goaltender has been removed from the floor, then a goal is awarded. See Rule 36 (b) Awarded Goals.

**Note 2:** This rule shall be interpreted so that a Penalty Shot will be awarded only when the ball is in the crease at the instant the offense occurs. However, in cases where the ball is outside the crease, Rule 58 (a) may still apply and a Minor penalty may be imposed, even though no Penalty Shot is awarded.

**Rule 59. Fighting and Roughing**

- (a) A Major penalty and a Game Misconduct penalty shall be assessed any player who fights with an opposing player.
  - 1. A player who is identified by the Referee as being the instigator, or the aggressor in a fight shall be assessed a Minor penalty, in addition to any other penalties she may incur.
  - 2. A Minor penalty shall be assessed any player who, having been struck, shall retaliate with a blow or attempted blow.  
Should such a player continue to retaliate, she shall be assessed a Major penalty and a Game Misconduct penalty.
  - 3. Any player who does not retaliate after being struck will not be assessed a penalty under this section but may be assessed a penalty for a violation of other rules.
  - 4. Any player wearing a ring or rings, tape or any other material on her hands, who becomes involved in a fight and who uses such to gain an advantage or to inflict punishment and/or injury, shall be assessed a Match penalty in addition to any other penalties she may incur.

Note: The foregoing sections shall also apply to goaltenders.

- 5. When a fight occurs, all other players except the goaltender shall immediately retire to the front of their respective benches or to a neutral zone (should the fight occur in front of a players' bench) designated by the Referee and remain there until the Referee calls them back to resume play. The goaltenders must stay in their goal creases or proceed to a neutral zone designated by the Referee. Any player(s) refusing to do so

- after being instructed by the Referee shall be assessed a Misconduct penalty, plus any other penalty she (they) may incur.
- (b) A Major penalty and a Game Misconduct penalty shall be assessed any player who is involved in fighting with another player off the playing surface.
  - (c) Any player joining in a fight, acting as a peacemaker, or taking part in another fight during the same stoppage of play, will be assessed a Game Misconduct penalty plus any other penalty the offender incurs under the rules.
  - (d) Any player or team official who becomes involved in a fight with a team official shall be assessed a Gross Misconduct penalty. This does not eliminate the possibility of further penalties being assessed for such an infraction.
  - (e) Branches are authorized, at the discretion of their members, to assess further penalties in the case of Rule 59 (a), for all players in all divisions of ball hockey.
  - (f) A Minor penalty or, at the discretion of the Referee, a Major penalty and a Game Misconduct penalty shall be assessed to any player who is guilty of unnecessary rough play.

**Note 1:** If the penalty assessed is for an infraction after the whistle, "Roughing after the Whistle" shall be record-ed.

**Note 2:** The Major penalty for roughing is not to be confused with and utilized in lieu of the Major Penalty and a Game Misconduct Penalty for fighting.

- (g) A Minor penalty or, at the discretion of the Referee, a Major and a Game Misconduct penalty shall be assessed any player who, in the Referee's judgment, makes deliberate physical contact with an opponent after the whistle.
- (h) [NEW] Any player who is assessed a major penalty and game misconduct for fighting in regular time, or any time in overtime, or at the conclusion of the game and prior to the player entering his dressing room, shall automatically be suspended for a minimum of the next three regular league/playoff games.
- (i) [NEW] Any player or team official who is assessed a Gross misconduct for fighting in regular time, or any time in overtime, or at the conclusion of the game and prior to the player or team official entering their dressing room, shall automatically be suspended for a minimum of the next three regular league/playoff games.

## **Rule 60. Goals and Assists**

- (a) A goal shall be scored when the entire ball has legally passed between the goal posts, below the cross bar and completely across the goal line. Following any goal, the Referee will resume play by conducting a face-off at the centre floor spot.
- (b) A goal shall be scored if the ball is put into the goal in any manner by a player of the defending team unless the ball has been struck by a high stick. The player of the attacking team who last played the ball shall be credited with the goal, but no assist shall be given.

- (c) A goal shall NOT be allowed if the ball has been directed into the net as a result of a distinct kicking motion by an attacking player, or after being kicked, the ball deflects off any player or stick into the net.
- (d) If the shot of an attacking player has been deflected into the goal by striking the stick, feet or any part of the body of an attacking player, the goal shall be allowed and the player off whom the ball deflected shall be credited with the goal and the player making the shot shall be credited with the assist. The goal shall not be allowed if the ball is deliberately directed into the net by any part of the body of an attacking player including his feet.
- (e) If a goal is scored as the result of a ball deflecting directly into the goal off the person or feet of an official, the goal shall not be allowed.
- (f) Should a player propel the ball into the goal crease of the opposing team and the ball becomes loose and available to an attacking player, the ball shall be considered in the crease legally and any goal scored on this play shall be a legal goal.
- (g) Each goal and assist shall count one point in the scoring records. Not more than two assists shall be credited on any one goal.
- (h) Any goal scored, other than as covered by the Official Rules, shall not be allowed. The resulting face-off shall be determined as per Rule 57 (e), (f) & (i).

#### **Rule 61. Handling the Ball**

- (a) If any player closes her hand on the ball and gains an advantage, play shall immediately be stopped. When a player simply closes her hand on the ball and immediately drops it to the floor, without gaining or attempting to gain an advantage by this action, play shall be allowed to continue.
- (b) A Minor penalty shall be assessed a goaltender who deliberately holds the ball and in the opinion of the Referee, is causing an unnecessary stoppage in play. Note: Where the ball is thrown towards an opponent's goal by the goaltender and it is received by an opponent, the Referee shall allow play to continue. However, if a teammate receives the ball, play shall be stopped.
- (c) A Minor penalty shall be assessed any player (except the goaltender) who, while play is in progress, picks up the ball with her hand.  
If a player of the defending team (except the goaltender) picks up the ball from the floor while it is in her team's goal crease, the play shall be stopped, and a Penalty Shot shall be awarded to the non-offending team.
- (d) A player shall be permitted to stop or "bat" a ball in the air with her open hand, or to push it along the floor with her hand and play shall not be stopped, unless the player has directed the ball to a teammate in the neutral or attacking zone. When this occurs play shall be stopped and the ball faced-off at the face-off spot that penalizes the offending team nearest to the location that the hand pass occurred in accordance to Rule 57. Where an attacking player in the attacking zone, makes a hand pass and the defending team refrains from playing the ball, stop the play and conduct the face-off at the nearest face-off spot.
- (e) A goal shall not be allowed if the ball has been batted with the hand or any part of the body by the attacking player into the net or, after being batted, the ball deflects off any player or stick into the net.

**GENERAL GUIDELINES FOR CLOSING YOUR HAND ON THE BALL**

1. A player closes her hand on the ball and then throws the ball – stop the play immediately. A Minor penalty for Handling the Ball must be assessed.
2. When a player closes her hand on the ball, then tries to maneuver around another player while holding the ball or where a player is prevented from playing the ball by the player changing the general location of the ball while holding it - A Minor penalty for Handling the Ball must be assessed.
3. If a player takes a stride while holding the ball in her hand - Face-off.

**Rule 62. High Stick**

(a) The carrying of sticks above the normal height of the shoulder of the opponent is prohibited. A 4-minute minor penalty or, at the discretion of the Referee, a Major penalty and a Game Misconduct penalty shall be assessed any player who checks or intimidates an opponent while carrying his stick above the shoulder of his opponent. If injury results, a Major penalty and a Game Misconduct penalty shall be assessed.

(b) A player who contacts an opponent above the normal height of his shoulders with a high stick shall be assessed a 4-minute minor penalty or, at the discretion of the Referee, a Major penalty and a Game Misconduct penalty. If injury results, a Major penalty and a Game Misconduct penalty shall be assessed.

If a player injures an opponent with an accidental high stick due to the actions of a player on the opposing team the player would receive a 4-minute minor penalty in place of the Major penalty and the Game Misconduct. Any player who strikes an opponent on the follow through of a shot (including a golf shot) shall be assessed a 4-minute minor penalty or a Major Penalty and a Game Misconduct at the discretion of the Referee.

RATIONALE: Although the offending player must be in control of his stick at all times, the injury occurred due to the action of the opposition and was not intentional in any way.

(c) A Match penalty shall be assessed any player who deliberately attempts to injure or deliberately injures an opponent with a high stick.

(d) Contacting the ball above the normal height of the shoulders with the stick is prohibited and when it occurs, play shall be stopped, and the ensuing face-off shall be in the offending team's defending zone unless:

1. a player of the non-offending team gains possession and control of the ball, in which case play shall be allowed to continue, or
2. a player of the offending team high sticks the ball into his own goal, in which case the goal shall be allowed.

**Note:** Where play is stopped for a high sticking the ball infraction, the offending team will not be permitted to change players until play resumes - See rule 19(g).

(e) A goal scored from a high stick shall not be allowed except when such a goal is scored by a player of the defending team into his own goal.

### **Rule 63. Holding**

- (a) A Minor penalty or, at the discretion of the Referee, a Major penalty and a Game Misconduct penalty shall be assessed any player who holds an opponent with her hands, stick or in any other manner. If the penalty assessed is for holding the stick, a Minor penalty for "Holding the Stick" shall be recorded and announced.
- (b) A Major penalty and a Game Misconduct penalty shall be assessed any player who injures an opponent by "Holding".

### **Rule 64. Hooking**

- (a) A Minor penalty or, at the discretion of the Referee, a Major penalty and a Game Misconduct penalty shall be assessed to any player who impedes or seeks to impede the progress of an opponent by "Hooking" or "Butt-End Hooking" with his stick.
- (b) A Major penalty and a Game Misconduct penalty shall be assessed any player who injures an opponent by "Hooking" or "Butt-End Hooking".

### **Rule 65. Flooring the Ball**

- (a) Flooring the ball is automatically completed the instant the ball crosses the goal line, and the Referee shall immediately blow her whistle, stopping play. If the ball shall have entered the goal, the flooring shall not be called, and a goal shall be allowed.

For the purpose of this rule, the center red line will divide the floor into halves. Should any player of a team, equal or superior in numerical strength to the opposing team, shoot, "bat" or deflect the ball from her own half of the floor, beyond the goal line of the opposing team, play shall be stopped and the ball faced-off at the end zone face-off spot of the offending team.

If during the play, the ball shall have entered the net of the opposing team, the goal shall be allowed, except if the ball has been batted with the hand into the opposing net.

Any contact with the ball over the centre red line, with the ball continuing down over the goal line, nullifies "flooring" the ball.

**Note 1:** If during the period of a delayed whistle due to a foul by a player of the side NOT in possession of the ball, the side in possession "floors" the ball, the face-off following the stoppage of play shall take place in the neutral zone near the defending team blue line of the team "flooring" the ball.

**Note 2:** A team shall not be considered below the numerical strength of its opponent by reason of a penalized player remaining in the penalty box after her penalty has expired.

**Note 3:** When the ball is shot and rebounds from the body or stick of an opponent in her own half of the floor and crosses the goal line of the player shooting, it shall NOT be considered as “flooring”.

- (b) “Flooring the Ball” shall not be called if a team is below the numerical strength of the opposing team at the instant the ball is shot.
- (c) Play shall continue and the “Flooring the Ball” infraction shall not be called if it is caused directly from either play- er taking the face-off.
- (d) If, in the opinion of the Referee, a player of the opposing team, except the goaltender, is able to play the ball before it crosses the goal line, but has not done so, the play shall continue, and the “Flooring the Ball” rule shall not apply.
- (e) The “Flooring the Ball” infraction shall not be called, and play shall continue when:
  1. the ball has touched any part of an opposing play- er, her stick, or feet, or
  2. the ball has touched the goaltender, her feet, or stick at any time before crossing the goal line.
  3. the goaltender leaves her crease in an attempt to play the ball that may impede players or create an unsafe environment. If the goaltender takes 2 steps out of their crease immediately recognizes that "Flooring the Ball" is in progress and returns to her crease, the "Flooring the Ball" situation will remain in effect.
- (f) If the Referee has erred in calling an “Flooring the Ball” infraction under any conditions, the face-off shall take place at the centre floor face-off spot.

#### **Rule 66. Interference/Protection of the Goaltender**

- (a) A Minor penalty for Interference or, at the discretion of the Referee, a Major penalty and a Game Misconduct penalty shall be assessed any player who:
  - (1) interferes with or impedes the progress of an opponent who is not in possession of the ball, or
  - (2) deliberately knocks a stick out of hand, or
  - (3) prevents an opponent who has lost or dropped his stick from regaining possession of it.

**Note 1:** The last player to touch the ball - other than the goaltender - shall be considered the player in possession.

**Note 2:** Often the action and movement of the attacking player causes the interference, since the defending players are entitled to “stand their ground” or “shadow” the attacking players. Players of the side in possession of the ball shall not be allowed to “run” deliberate interference for the ball carrier.

**Note 3:** Forcefully knocking the stick out of an opponent's hand with the stick should be assessed as slashing rather than interference.

Si un joueur de l'équipe à l'attaque a été physiquement gêné par les actions d'un joueur à la défensive de telle sorte qu'il se trouve dans l'enceinte du but et que la balle entre dans le filet alors que le joueur gêné se trouve toujours dans l'enceinte du but, le but sera accordé.



- (b) A Minor penalty for Interference with the goaltender shall be imposed on a player who, by means of his stick or his body, interferes with or impedes the movements of the goaltender by actual physical contact. The penalty should be announced as "Interference with the Goaltender".

**Note:** A goaltender is not "fair game" just because he is outside the goal crease. A penalty for Interference (Minor or, at the discretion of the Referee, a Major penalty and a Game Misconduct penalty) or Charging (Minor or, at the discretion of the Referee, Major penalty and a Game Misconduct penalty) shall be called where an opposing player makes unnecessary contact with the goaltender. Likewise, Referees should be alerted to penalize goaltenders for Tripping, Slashing, or Spearing in the vicinity of the goal.

Unless the ball is in the goal crease area, a player of the attacking side may not stand in the goal crease. If an attacking player deliberately stands in the goal crease, without interfering with the goaltender, the Referees shall stop the play and the ensuing face-off shall take place at the nearest face-off spot in the neutral zone. If the ball should enter the net while such conditions prevail the goal shall not be allowed. If an attacking player has physically interfered with the goaltender, prior to or during the scoring of the goal, the goal will be disallowed and a penalty for "Interference with the Goaltender" will be assessed and announced.

The ensuing face-off shall be taken in the neutral zone, at the face-off spot nearest the attacking zone of the offending team.

If a player of the attacking team has been physically interfered with by the actions of any defending player so as to cause him to be in the goal crease and the ball should enter the net while the player so interfered with is still in the goal crease, the goal shall be allowed.

A Minor penalty shall be assessed to an attacking player, who while his team has possession of the ball, is interfered with by a defending player, but fails to attempt to avoid making contact with the goaltender. In addition, if a goal is scored it shall be disallowed.

A Minor penalty shall be imposed on an attacking player, not in possession of the ball, who is tripped or caused to fall and fails to attempt to avoid contact with the goaltender whether he is in or out of his crease.

A Minor penalty shall be imposed on any attacking player, who makes deliberate contact with a goaltender whether in or out of the goal crease.

At the discretion of the Referee a Major penalty and a Game Misconduct penalty may be imposed under Rule 52 (b) - Charging or Rule 54 (c) - Cross-Checking. In the event that a goaltender has been pushed into the net together with the ball after making a stop, the goal will be disallowed. If applicable, the appropriate penalties will be assessed.

- (c) Where a stick or any object is thrown on the floor from the players' or penalty bench or where a player on the floor is interfered with by an opposing player or team official on the players' or penalty bench, (whether or not play is in progress), a Bench Minor penalty shall be assessed to that team if the Referee is unable to identify the person responsible, except as covered in Rule 36 (a)(4) - Awarded Goals and Rule 85 (d) - Tripping. If a goal is scored, no Bench Minor penalty would be assessed.

- (d) Where a stick or any object is thrown on the floor from the players' or penalty bench or where a player on the floor is interfered with by an opposing player or team official on the players' or penalty bench (whether or not play is in progress) and the Referee is able to identify the person responsible; that person shall be assessed a Bench Minor penalty and a Game Misconduct penalty.

When Rule 36 (a)(4) - Awarded Goals or Rule 85 (d) - Tripping are applied, the Bench Minor penalty would not apply but the Game Misconduct penalty would.

- (e) A Major penalty and a Game Misconduct penalty shall be assessed any player who injures an opponent by "interference".
- (f) A Minor penalty shall be assessed a goaltender who deliberately places obstacles at or near his net which, in the Referee's opinion, would tend to prevent a goal from being scored.

A Penalty Shot shall be awarded to the non-offending team if, in the Referee's opinion, such object or obstacle actually prevents a goal while the offending team's goaltender is legally on the surface. If a Penalty Shot is awarded under this rule, the Minor Penalty shall not be assessed.

A goal shall be awarded if, in the opinion of the Referee, such object or obstacle actually prevents a goal after the offending goaltender has been legally substituted for by another player.

#### **Rule 67. Interference by Spectators**

- (a) The Referee shall stop play if a player is being held or interfered with by a spectator, unless that player's team is in possession of the ball and in scoring position at the time. In this case, play shall be allowed to be completed before the stoppage. In any case, the face-off shall be where the stoppage took place, unless otherwise stated in the rules.

- (b) The Referee shall stop play if any objects are thrown on the playing surface which interfere with the progress of the play. When the play resumes, the face-off shall be where the stoppage took place, unless otherwise stated in the rules.

#### **Rule 68. Kick Shot**

A Minor Penalty shall be assessed to any player except the goalkeeper who uses a kick shot to propel the ball during the game. A Major Penalty and a Game Misconduct will be assessed to any player who injures an opponent with his or the stick as result of a Kick Shot.

#### **Rule 69. Kicking the Ball**

- (a) Kicking the ball shall be permitted in all zones. This action can not result in a goal being scored.
- (b) No goal can be scored when an attacking player kicks another object which, in turn, propels the ball directly or indirectly into the goal.

**Rule 70. Leaving the Player's or Penalty Bench**

- (a) No player may leave the players' bench or penalty bench at any time during a fight on the floor, or for the purpose of starting a fight. Substitutions made prior to the fight shall be permitted, provided the players so substituting do not enter the fight.
- (b) For a violation of Rule 70 (a), a double Minor penalty shall be imposed on the player of the team who was the first to leave the players' or penalty bench during a fight. If players of both teams leave their respective benches at the same time, the first identifiable player of each team to do so, shall incur a double Minor penalty. A Game Misconduct penalty shall also be imposed on any player penalized under this section; plus, any other penalties he may incur. Refer to Section (d).
- (c) Any player (other than those dealt with under Section (b)) who leaves his players' or penalty bench during a fight and is assessed a Minor, Major or Misconduct penalty for his actions, shall also incur an automatic Game Misconduct penalty, in addition to any other penalties he may incur. This includes a player leaving the penalty bench, for which he is to be assessed a Minor penalty in addition to the Game Misconduct penalty. Such player would not have to be the first player to leave a bench.

**Note 1:** A maximum of 5 players per team may be assessed Game Misconducts for violations of Sections (b) and (c) of this rule during a stoppage of play. The maximum of 5 players shall include any players penalized under Rule 59 - Fighting and Roughing.

**Note 2:** Where one team has been clearly identified as the first to leave the bench and the Referee has assessed the 5 player maximum Game Misconducts, then in this situation a sixth player on one team may be assessed a Game Misconduct penalty under this section. This sixth player must be the player who left the bench first.

**Note 3:** Referees must record in detail on the Official Game Report or separate Penalty Report Form, any bench clearing incidents.

- (d) A penalized player may not leave the penalty bench (whether or not play is in progress), except at the end of the period or on the expiration of his penalty. A Minor Penalty shall be assessed any player that leaves the penalty bench or returns to the surface before the expiration of this penalty. However, in the case of a player returning to the surface prematurely due to an error by the Penalty Timekeeper, no penalty shall be assessed, and the player must only serve the time remaining in his penalty at the moment he returned to the surface.
- (e) When a player on a breakaway in the neutral or attacking zone is interfered with by a player of the opposing team who shall have illegally entered the game, or by a player or team official on the players' or penalty bench, the Referee shall award a Penalty Shot to the non-offending team.
- (f) Any team official who goes on the floor after the start of the game, without the permission of the Referee, shall be assessed, at the discretion of the Referee, a Bench Minor or a

Game Misconduct penalty. If a Game Misconduct penalty is assessed, the team official shall be ordered to the dressing room for the remainder of the game and the Referee shall submit a report in full detail to the President, who may assess further penalties.

- (g) If a penalized player returns to the floor from the penalty bench before his penalty has expired, (either by his own error or the error of the Penalty Timekeeper), any goal scored by his own team while he is illegally on the floor shall not be allowed. All penalties assessed either team shall be served as regular penalties.
- (h) If a player shall illegally enter the game from his own players' bench, any goal scored by his own team while he is illegally on the floor shall not be allowed. All penalties assessed either team shall be served as regular penalties.

#### **Rule 71. Physical Harassment of Officials**

- (a) Any player or team official who intentionally touches, holds or pushes a Referee or Off-floor Official before, during or after a game shall be assessed a Match penalty and shall be reported to the President by the Referee.
- (b) Any player or team official who deliberately strikes, trips or body checks a Referee or Off-floor Official before, during or after a game shall be assessed a Match penalty and shall be reported to the President by the Referee. Such player or team official may be suspended for one year or more.
- (c) Any player or team official who threatens or attempts to strike a Referee or any Off-floor Official before, during or after a game shall be assessed a Match penalty and shall be reported to the President by the Referee.

#### **Rule 72. Off-Sides**

- (a) Players of the attacking team must not precede the ball into the attacking zone.

**Note 1:** A "Floating Blue Line" exists in ball hockey. Once the attacking team legally crosses the opponent's blue line with the ball, the blue line is eliminated, and the attacking zone is now the area from the center red line in. The terminology used when a team has legally gained control of the attacking zone eliminating the blue line is "THE BLUE LINE IS SET".

**Note 2:** A player actually propelling the ball who shall cross the line ahead of the ball, shall not be considered off-side, providing he is actually in possession and control of the ball with one foot in the neutral zone before crossing the blue line.

- (b) For violation of this rule, play shall be stopped, and the face-off shall be in the neutral zone at the face-off spot nearest the attacking zone of the offending team or at the origin of the attempted pass, as covered by the rules.

- (c) The position of the player's feet, and not that of his stick, shall be the determining factor in all instances in deciding an "off-side".

A player is off-side when both feet are completely over the inside edge of the determining blue line involved in the play.

**Note 1:** A player is on-side when either of his feet are in physical contact with, or on his own side of the line at the instant the ball completely crosses the outer edge of that line, regardless of the position of his stick.

**Note 2:** It should be noted that while the position of the player's feet is what determines whether a player is off- side, the question of an off-side never arises until the ball has completely crossed the line at which time the decision is to be made.

- (d) If a player legally carries or passes the ball from the neutral zone back into his own defending zone while a player of the opposing team is in such defending zone, the off-side shall be ignored and play shall continue.
- (e) If an attacking player(s) precedes the ball that is shot, passed or deflected into the attacking zone by a team- mate, or deflected into the attacking zone by a defending player; but a defending player is able to play the ball, the Referee shall signal a delayed off-side.

Referee shall drop his arm to nullify the off-side violation and allow play to continue if:

1. the defending team passes or carries the ball into the neutral zone, or
2. all attacking players in the attacking zone (at the time the ball crosses the blue line) clear the attacking zone by making foot contact with the blue line.

If the ball is shot on goal, during a delayed off-side, the play shall be allowed to continue under the normal clearing the zone rules.

Should the ball enter the net in this situation, either directly or off the goaltender, or a player or official on the floor, the goal shall not be allowed as the original shot was off-side. If any attacking player touches the ball or attempts to gain possession of a loose ball while the ball is still in the attacking zone, the Referee shall stop play.

Note: The attacking zone must be completely clear of attacking players before a delayed off-side can be nullified with the ball still in the attacking zone.

- (f) If, in the opinion of the Referee, an intentional off-side play has been made, the ball shall be faced-off at the end zone face-off spot in the defending zone of the offending team.

**Note 1:** The Blue Line remains set until:

1. An attacking player has propelled the ball out of bounds that results in the face-off occurring outside the blue line.
2. The ball is propelled across the centre red line. In all cases noted, the Blue Line has to be "RESET".

## GUIDELINES FOR DELAYED OFF-SIDE SITUATIONS

1. The attacking zone must be completely clear of all players before the off-side is nullified.
2. An attacking player in the attacking zone cannot come out and make foot contact with the blue line and go back into that zone while a teammate is still there and the delayed off-side still in effect.
3. Attacking players who were not off-side when the delayed off-side went into effect must wait until the delayed off-side is nullified before they can go into their attacking zone.
4. If the ball is shot from behind the center red line (a flooring situation) with attacking players in their attacking zone, and the ball is not able to be played by a defending player before it crosses the goal line, then the flooring call would be made in lieu of the off-side.
5. If the play is stopped because of the off-side, the ensuing face-off would go to the closet face-off spot in the neutral zone to where the shot originated in accordance with Rule 57 (g).

**Rule 73. Passes**

- (a) The ball may be passed by any player to a player of the same team within any one of the three zones into which the floor is divided without incurring an off-side penalty.
- (b) A pass shall be considered to have been completed if the ball so passed contacts any part of the stick, body or foot of a player on the same team.
- (c) A player anywhere in her own half of the rink is eligible to receive a forward pass from a teammate, provided she is on-side and she may also play the ball passed into the attacking half of the floor, provided the ball precedes the player completing the pass over the blueline.
- (d) If an attacking player passes the ball backwards towards her own goal from the attacking zone, an opponent may play the ball regardless of whether or not she (the opponent) was in the same zone at the time the ball was passed.

**Note:** The position of the ball, and not the position of the player's feet, is the determining factor in deciding from which zone the pass was made.

**Rule 74. Ball Must Be Kept in Motion**

A Minor penalty shall be assessed any player who deliberately holds the ball against the boards or any part of the goal in any manner unless he is being checked by an opponent.

**Note:** Referees must determine the offending player and enforce these rules quickly.

**Rule 75. Ball Out of Bounds or Unplayable**

- (a) When the ball goes outside the playing area or strikes obstacles above the playing surface, play shall be stopped. The resulting face-off shall be where the ball last touched a player, her feet or stick, or an official, except when otherwise stated in the rules.
- (b) A Minor penalty shall be assessed any player who delays the game by deliberately shooting, batting or throwing the ball outside the playing surface of the rink. The resulting face-off shall be at the spot where the offense occurred, unless otherwise stated in the rules.
- (c) If the ball is shot on the back of the net and comes off without any delay or, if a player or goaltender knocks the ball off the back of the goal netting without unnecessary delay, play shall continue. If the ball is frozen between opposing players or cannot be removed from the back of the net, the Referee shall stop play and the face-off shall take place at a location covered by the rules.

**Note:** Existing rules are adequate to deal with the situation regarding play in the attacking zone, but officials should be alerted to move the face-off into the neutral zone in every case where it is the action of the attacking players which has caused the stoppage, even though they may not be actually freezing the ball themselves.

- (d) A Minor penalty shall be assessed a goaltender who deliberately drops or throws the ball on the goal netting to cause a stoppage of play.

**Rule 76. Ball Out of Sight and Illegal Ball**

- (a) At any time where the Referee loses sight of the ball, play shall be stopped. The resulting face-off shall be at the point where play was stopped, unless otherwise stated in the rules.
- (b) If while play is in progress a ball other than the one legally in play appears, the play shall not be stopped, but shall continue with the legal ball until the play then in progress is completed.

**Rule 77. Ball Striking Official**

Play shall not be stopped if the ball touches an official anywhere on the rink, except when the ball is deflected directly off an official into the goal or out of the playing area.

- (a) If a team is withdrawn from the floor and fails to return and start play, or if being on the floor, fails to start play within TWO MINUTES after being ordered to do so by the Referee, the game or series shall be suspended. The team officials and/or players of the team which are responsible for any of these actions may be suspended for one year or more from the date of the infraction. The Referee shall report full details of the incident to the President. If a team after being ordered to return, does return to start play, then a Major penalty and a Game Misconduct shall be assessed to the Coach for Delay of Game. If this infraction occurs in the last two minutes of regular playing time, or anytime

in overtime, a Penalty Shot (in addition to the Major penalty and a Game Misconduct) shall be awarded against the offending team's coach, as stated in Rule 55(b) - Delay of Game.

#### **Rule 78. Refusing to Start Play**

- (a) The commencement of the two-minute warning and the reason for such warning shall be announced over the public address system, on the instructions of the Referee.
- (b) If a team is withdrawn from the floor or fails to go on the floor, or being on the floor, fails to start play a SECOND TIME within the same game after being ordered to do so by the Referee, the two-minute allowance shall not be granted, and the game will be officially suspended. The team officials and/or players of the team which are responsible for any of these actions may be suspended for one year or more from the date of the infraction. The Referee shall report full details of the incident to the President.  
**Note:** Should the offending team be on the floor surface, the order shall be given in person by the Referee. If the offending team is not on the floor, the Timekeeper, on the instruction of the Referee, will convey the order to the offending team. The order may be given to any player or team official of the offending team.
- (c) If a team fails to present itself at the time and place appointed to play any game, the game shall be awarded to the opposing team, unless such failure is caused by an unavoidable accident or unforeseen contingency. The team official and/or players responsible for any of these actions shall be reported to the President by the Referee, giving full details of the incident.
- (d) A player or team official who refuses to leave the bench or playing area after he has been assessed a Game Misconduct penalty, Game Ejection, Gross Misconduct or Match penalty, TWO MINUTES AFTER BEING ORDERED TO DO SO BY THE REFEREE, the game or series shall be suspended. The team officials and/or players of the teams which are responsible for any of these actions may be suspended for one year or more from the date of the infraction. The referee shall report full details of the incident to the President.

IF THE PLAYER OR TEAM OFFICIAL AFTER BEING ORDERED TO LEAVE, DOES LEAVE THE BENCH OR THE FLOOR DURING THE ALLOTTED 2 MINUTES, then a Major penalty and a Game Misconduct shall be assessed to the Coach for Delay of Game. If this infraction occurs in the last two minutes of regular playing time, or anytime in overtime, a Penalty Shot (in addition to the Major Penalty and a Game Misconduct) shall be awarded against the offending teams, as state in Rule 55 e - Delay of Game.

#### **Rule 79. Slashing**

- (a) A 4-minute minor penalty or, at the discretion of the Referee, a Major penalty and a Game Misconduct penalty shall be assessed any player who impedes or seeks to impede the progress of an opponent by "slashing" with her stick.
- (b) A Major penalty and a Game Misconduct penalty will be assessed to any player who injures an opponent with a "slash".



- (c) A “slashing” penalty shall be assessed any player who swings their stick at an opponent (whether out of range or not) without striking them, or who, on the pre- text of playing the ball, makes a wild swing at the ball with the objective of intimidating her opponent.
- (d) A Match penalty shall be assessed any player who deliberately attempts to injure or deliberately injures an opponent with a slash.

**Rule 80. Spitting**

- (a) A Match penalty shall be assessed any player or team official who deliberately spits on or at an opponent, official, team official or spectator. The Referee shall report full details of the incident to the President.
- (b) A Minor penalty will be assessed to any player or team official who deliberately spits on the playing surface.

**Rule 81. Start of Game and Periods**

- (a) The game shall commence at the time scheduled by a face-off in the centre of the rink. It shall be renewed promptly at the conclusion of each intermission in the same manner. No delay shall be permitted by reason of any ceremony, exhibition, demonstration or presentation, unless consented to reasonably in advance by the Visiting Team.
- (b) To start the game, at the beginning of each period (including any overtime periods) and following the scoring of a goal, the Referee shall conduct a face-off at the centre floor spot.
- (c) Home teams shall have the choice of goals to defend at the start of the game. See Rule 9 (e).
- (d) At the beginning of each period, only the players taking part in the actual face-off shall be allowed on the floor. All other players not taking part in the face-off shall go directly to their benches. For an infraction of this rule, a Bench Minor penalty for delay of game shall be assessed the offending team.
- (e) At the end of each period, all players must remain on their respective players' or penalty bench until directed off by the Referee. The Visiting team shall leave the floor first, unless otherwise directed by the Referee. Failure to comply shall result in a Bench Minor penalty. Any unusual circumstances shall be reported to the President. A Game Misconduct penalty shall be assessed to the coach of any team that fails to comply with this rule at the end of the game if an altercation that results in penalties of any kind is either in progress as the game ends or begins after the game has ended.

**Rule 82. Throwing Stick or Object**

- (a) Where any player of the defending team, including the goaltender, deliberately throws his stick or any part thereof or any other object at the ball or ball carrier in the defending zone,

the Referee shall allow the play to be completed and, if a goal is NOT scored, a Penalty Shot shall be awarded to the attacking team.

If a goal is scored, the Penalty Shot shall not be awarded.

- (b) A Minor penalty shall be assessed any player who deliberately throws his stick or any part thereof or any other object at the ball or ball carrier in any zone, except when such act has been penalized by the awarding of a Penalty Shot or a Goal.
- (c) A Minor penalty for Throwing a Stick / Object (as applicable) shall be assessed any player who deliberately throws his stick or any part thereof, or any other object in any zone, but not at the ball or ball carrier.
- (d) A Misconduct penalty shall be assessed any player who deliberately throws a stick or any part thereof or any object, outside the playing area.

### **Rule 83. Tied Game**

- (a) If at the end the regulation time the score is tied and overtime is to be played, the following shall take place:
  - 1. The teams will not change ends;
  - 2. The ball shall be faced-off at centre floor and the play shall continue with a ten-minute sudden victory overtime period;
  - 3. If the score is still tied after the sudden victory ten-minute overtime period, the teams would take the normal between period break and return to play ten-minute sudden victory periods. The teams will now change ends.
- (b) Any overtime period shall be considered part of the game and all unexpired penalties shall remain in force.
- (c) If either team declines to play in the necessary overtime period or periods, the game shall be declared a loss for that team.

**Note 1:** Branches and leagues may make their own rules regarding overtime for games under their jurisdiction.

**Note 2:** Games may end in a tie unless a winner must be determined, in which case overtime will be played.

**Note 3:** Where the organizers of a tournament or league decide to employ a shoot-out to break a tie at the end of regulation play or any overtime period, the follow

- Shoot-outs shall consist of a best of 5 formats with teams taking alternate shots;
- If still tied after 5 shooters from each team have shot, then teams shall alternate shots in a sudden victory format;
- The home team has the choice of shooting first or second in the shoot-out;
- Teams will defend the same nets as at the end of regulation or any played overtime;
- The procedure governing the taking of the shot shall be as set out in Rule 35 (penalty shots);

- No player may shoot more than once until the entire game roster of his or her team (aside from goaltenders) has been exhausted;
- Players serving any type of penalty which has not expired at the conclusion of regulation time or overtime, shall not be eligible to participate in the shoot-out;
- Prior to taking a shot, players shall turn their back to the scorekeeper so their number may be properly recorded;

Ineligible shooters:

- If the referee becomes aware before the shot has commenced that the player about to take the shot is ineligible to take the shot for any reason, the referee shall allow the coach to substitute another player;
- If the referee becomes aware after the shot has commenced or has been completed, that the player taking the shot was ineligible to take the shot for any reason then the result of the shot will be considered “no goal” and no substitute shooter will be permitted;  
For the purposes of this rule, the shot is deemed to commence when the referee blows his or her whistle to signal for the player to proceed with the shot.

#### **Rule 84. Time of Game**

- (a) Three periods of actual playing time with a two-minute intermission between each period, will be the time allowed for each game.
- (b) The team scoring the greatest number of goals during the two periods shall be the winner and shall be credited with two points in the league standing.
- (c) Teams shall change ends after the completion of each regulation period and each overtime period (except as stated in Rule 83 (a)(1)).
- (d) If any unusual delay occurs within five minutes before the end of the first or second period, the Referee may order the next regular intermission to be taken immediately. The balance of the period will be completed on the resumption of play with the teams defending the same goals, after which the teams will change ends and resume play of the ensuing period without delay.
- (e) Each team shall be permitted to take one time-out of thirty seconds during the course of every period or over- time. This time-out must be taken during a normal stoppage of play. Any player designated by the Coach may indicate to the Referee that his team is exercising their option and the Referee will report the time-out to the Game Timekeeper who shall be responsible for signalling the termination of the time-out.

**Note 1 :** All players, including goaltenders, on the floor at the time of the time-out will be allowed to go to their respective benches.

**Note 2:** Both teams may take their respective time-outs during the same stoppage of play. However, once a team has called their time-out, the second team must indicate their intentions to take a time-out during the same stoppage of play before the initial 30 seconds are over.

**Note 3:** Player requesting time out must be on the floor! The player's number must be recorded on the game sheet.

(f) TIME-OUT GUIDELINES

1. Each team may have one thirty second time-out per period. This includes any overtime.

2. Both teams may take their time-out during the same stoppage of play.
3. All players including goaltenders may go to their respective benches during the time-out.
4. The Referee must advise the Timekeeper of the time-out and the Timekeeper will indicate when the time-out is over.
5. The Referee should allow the calling of a time-out at a stoppage of play, at any time up to the point where the referee blows the whistle during the line change procedure. Once the whistle is blown the face-off must occur and the request for a time-out will not be granted.
6. Subsequent to the time-out, the line change procedure shall recommence.

### **Rule 85. Tripping**

- (a) One A Minor penalty or, at the discretion of the Referee, a Major penalty and a Game Misconduct penalty shall be assessed any player who trips an opponent. If injury results, a Major penalty and a Game Misconduct penalty shall be assessed.

Note: A penalty shall not be assessed if, in the Referee's opinion, a player is unquestionably hook-checking the ball and obtains possession of it, thereby tripping the ball carrier.

- (b) A 4-minute minor penalty, or at the discretion of the Referee, a Match penalty based on the degree of violence of impact with the floor shall be assessed any player who uses his feet to knock an opponent's feet out from under him with a kicking or leg dragging motion from behind ("slew footing").

"A match penalty shall be assessed to any player who injures an opponent with a slew foot"

**Note:** If a player in the process of falling or sliding along the floor, hits or knocks the ball from her opponent's stick prior to making actual body contact, the tripping shall be called.

- (c) Where a player uses her stick, knee, hand, foot, arm or elbow in any manner or falls or slides along the floor directly in the path of the ball, causing the ball carrier to trip and lose possession of the ball, a penalty shall be assessed.

**Note:** If a player in the process of falling or sliding along the floor, hits or knocks the ball from her opponent's stick prior to making actual body contact, the tripping action shall be called.

- (d) When a player in control of the ball on a breakaway in the neutral or attacking zone is tripped or otherwise fouled from behind and thus prevented from having a clear shot on goal, having no other opponent to pass other than the goaltender, a Penalty Shot shall be awarded to the non-offending team. Nevertheless, the Referee shall not stop play until the attacking team has lost control of the ball to the defending team.

**Note:** "Control of the ball" shall be defined as the act of propelling the ball with the stick, the foot(s) or the glove(s). If, while it is being propelled, the ball shall touch the person, stick or foot of another player or should hit the goal post or go free, the player shall be deemed no longer in control. The intention of this rule is to restore a good scoring opportunity which has been lost by reason of the foul, and therefore, where there is no reasonable scoring chance lost by reason of the foul, a Penalty Shot should not be awarded.

**Rule 86. Head Contact**

- (a) A Minor Penalty shall be assessed to any player who accidentally contacts an opponent in the head, face or neck with any part of the player's body or equipment other than the stick.
- (b) A 4-minute minor penalty or a Major Penalty plus a Game Misconduct penalty at the discretion of the Referee and based on the degree of violence of impact shall be assessed to any player who intentionally contacts an opponent in the head, face or neck with any part of the player's body or equipment other than the stick.
- (c) A Major Penalty plus a Game Misconduct penalty shall be assessed any player who injures an opponent under this Rule.
- (d) A Match Penalty shall be assessed to any player who deliberately attempts to injure or deliberately injures an opponent under this Rule.

**Note:** Contact an opponent in the head, face or neck with a stick is to be penalized under the appropriate stick penalty.

**CLARIFICATIONS ON HEAD CONTACT**

Referees should be aware of the tragic consequences of head injuries and concussions and strictly enforce this rule. It is the responsibility of players, team officials and Referees to make every attempt possible to reduce the incident of this frightful injury. Team officials can teach players legitimate.

Methods of checking an opponent, while players can be educated the dangers of head contact. The Referee has the responsibility to penalize players who contact an opponent to the head. If the Referees are consistent and strict in calling infractions that may lead to concussions, then along with the cooperation of the players and team officials, these types of fouls and the chances of players suffering such injuries can be significantly reduced.

A fight is still to be called a fight, not Head Contact.

Referees are to strictly enforce penalties that call for infractions because of low hits.

The penalty signal for Head Contact will be patting flat (open palm) of the no whistle hand on the side of the head.

**Rule 87. Plongeon/Exag erement**

A Minor penalty for Unsportsmanlike Conduct shall be imposed on a player who attempts to draw a penalty by his/her action (diving). This penalty may be assessed with or without a foul to the opposing team at the discretion of the Referee.

**RATIONALE:** this rule has been called for a number of years under other sections of the rulebook, but this now allows for it to be a specific rule.

**Note:** This rule covers two different types of actions, both of which are penalized with a minor penalty which is recorded as "Unsportsmanlike Conduct".

"Diving" refers to the act of attempting to draw a penalty when no infraction has occurred. This will result in only a penalty for diving being assessed.

The second type of action is often referred to as "embellishment". This covers a situation where an infraction occurs but the player who is fouled attempts to make the infraction look worse than it really is to "sell" the call or to get the referee to assess more than a minor penalty. In this circumstance, it is appropriate to assess a minor penalty for the initial infraction and a coincidental minor for unsportsmanlike conduct for the embellishment.

## INSTRUCTIONS TO REFEREES ON REPORTS

### OFFICIAL'S VERBAL AND WRITTEN REPORT

Please note that all items of a disciplinary or security nature shall be fully reported to the Canadian Ball Hockey Association and/or provincial organization, for possible supplementary discipline. Items to be reported include:

- All Match penalties
- All Gross Misconduct penalties
- All Game Misconducts
- Any other incident or misconduct that may involve disciplinary action - including Rule 47
- Any incident or problem that may affect the proper playing of the game (e.g., crowd control)

The procedure to be followed by the Referee involves both a verbal and a written report. The reason why a verbal report is necessary is because a decision may sometimes have to be made in a short period of time and the written report might not have reached us by then.

#### (a) VERBAL REPORT

For all verbal reports, the Referee is required to get in touch with the last Referee-in-Chief the following day.

The Canadian Ball Hockey Association Manager, Officiating, may be reached from 8:30 a.m. to 4:30 p.m. on weekdays at 613-815-9610. If the Canadian Ball Hockey Association Manager, Officiating is unavailable please ask to speak to the appropriate administrative support person.

#### (b) WRITTEN REPORT

Following the verbal report, the Referee shall also send a legible written report of the incident to:

Canadian Ball Hockey Association admin@CBHA.com  
Instruction to Referees on Reports

NOTE: Although a Canadian Ball Hockey Association representative will be assigned to all inter-branch play-off series and even if that person may wish to handle the situation or himself report the incident; the Referee is still required to verbally report to the Canadian Ball Hockey Association representative.

As the Referee, common courtesy dictates that you notify this representative that your instructions are also to notify the Canadian Ball Hockey Association Office.

### GAME SHEETS

Local branch Game Report forms will be used for inter-branch play-off games. Upon completion of the game the Official Game Report should be faxed to the local Canadian Ball Hockey Association affiliate.

### RULES

Only Canadian Ball Hockey Association rules and rule interpretations shall apply and be used in inter-branch play-off games. It is most important that Referees do not apply local branch rules or interpretations.

**STAND-BY REFEREES**

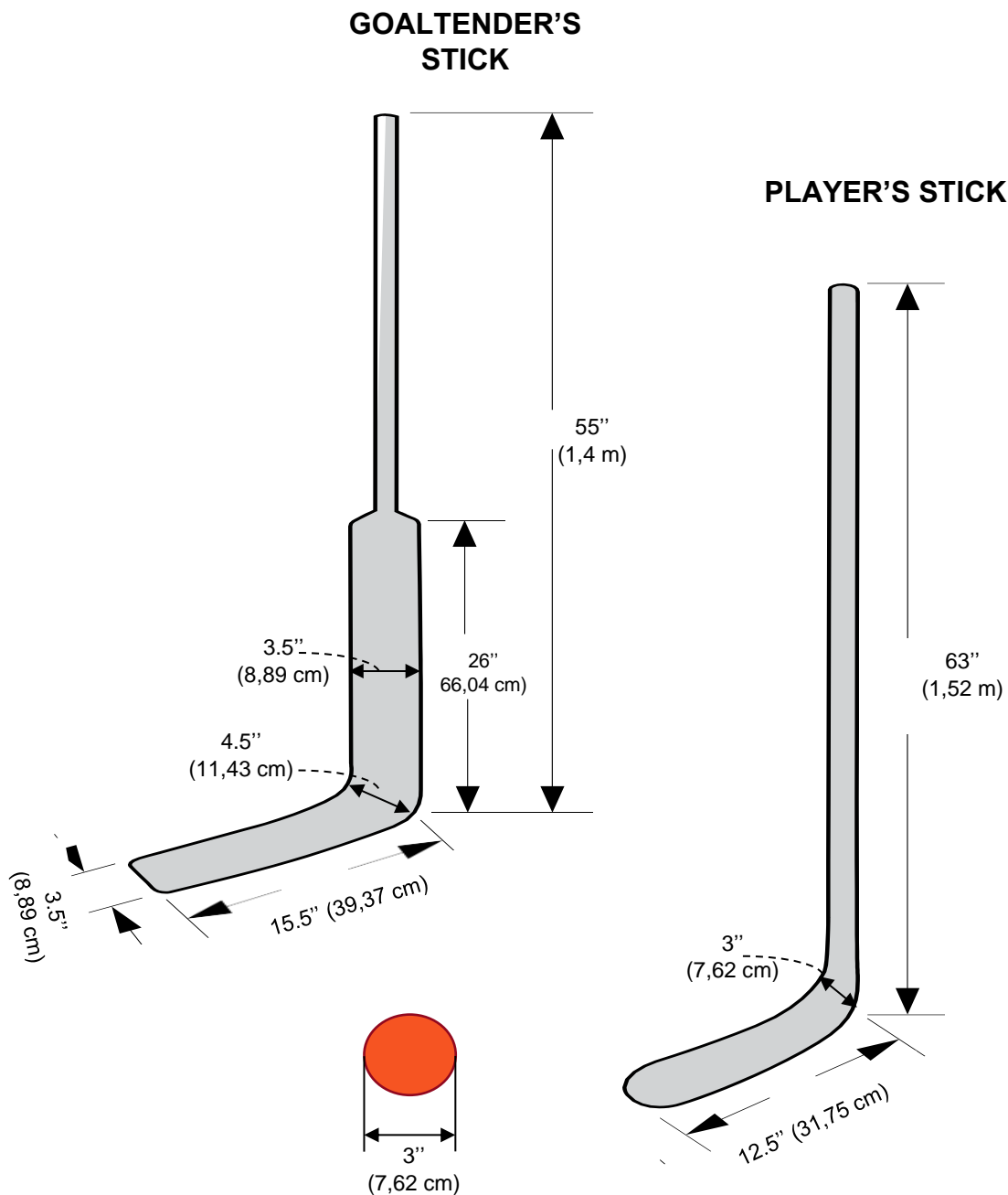
For all inter-branch play-off games, an official shall be appointed, whose responsibilities include:

- a) Replace, in case of injury, the Referee;
- b) Supervise the pre-game warm-up and report to the Referee in charge of the game any incidents requiring the assessment of penalties. Only the Referee in charge of the game shall actually assess the penalties;
- c) Be at the arena half-hour before the game;
- d) Assist an Off-floor Official, if such assistance is requested by the Referee or Off-floor Official himself.
- e) Be aware of any incidents that may occur off the floor or following the completion of the game and report such incidents to the referees in charge of the game who may assess the appropriate penalties as required.



**APPENDIX A – GOALTENDER’S STICK, PLAYER’S STICK AND BALL**

**(Rule 21,26) – Goaltender’s stick, player’s stick and Ball (To show measurement only)**



**Exception of Minors (age 10 years of age and younger) and below where it may weigh no less than 113.4 g (4 ounces)**

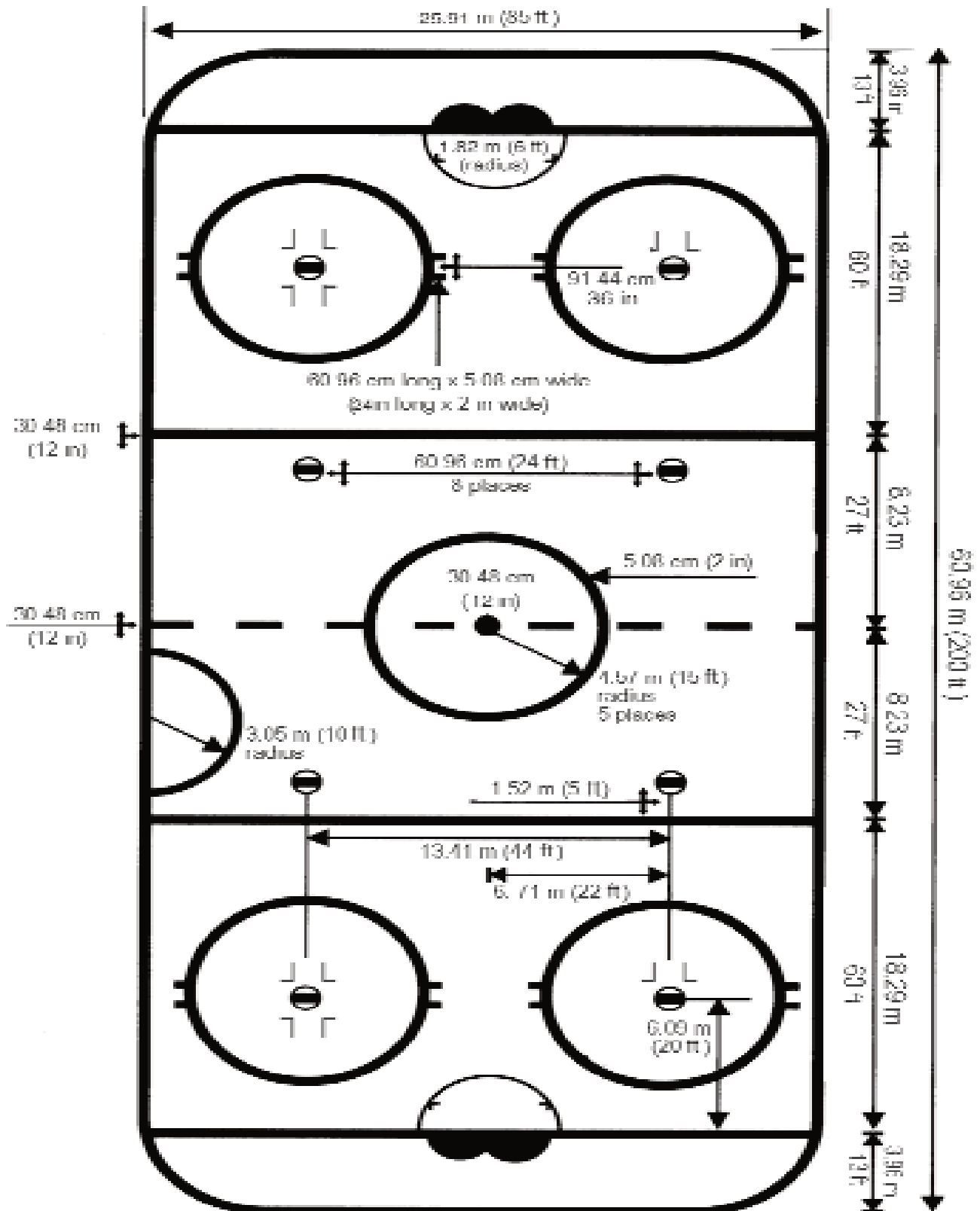
**APPENDIX B – GOALTENDER’S GLOVES AND PADS – RULE 23**



Maximum circumference  
122 cm (48'')



**APPENDIX C - ILLUSTRATIONS – THE RINK AND FLOOR MARKINGS**



## **APPENDIX D - INSTRUCTIONS TO OFF-FLOOR OFFICIALS**

Off-floor Officials are to be treated with courtesy at all times by players and team officials.

Off-floor Officials are under the general supervision of the Referee for the playing of each game.

Off-floor Officials should follow the instructions as stated in the Canadian Ball Hockey Association Rule Book with reference to Timekeepers, Official Scorer and Goal Judges. They will save themselves from many unpleasant incidents if these instructions are followed.

Off-floor Officials shall refrain from criticizing the work of any other official at any time. The Penalty Timekeeper should keep the Penalty Bench free of spectators; should there be any trouble in this respect, report the matter to the Referee.

Off-floor Officials should be at their respective positions a few minutes prior to the start of the game and subsequent periods.

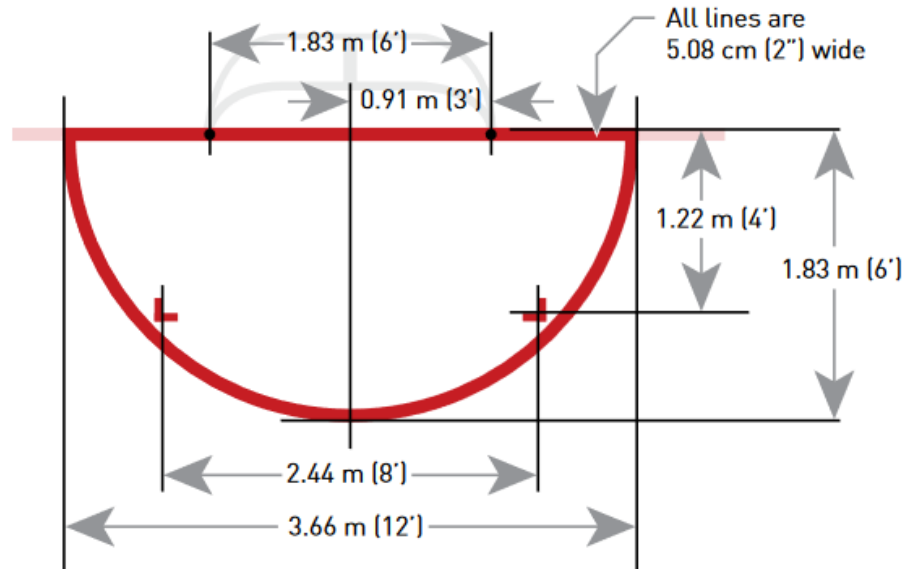
When the Official Scorer obtains the team line-ups, he shall obtain the name and number of the Captain and Alternate Captain(s) of each team. This information shall be given to the Referee prior to the start of each game. If the Official Scorer encounters any difficulty in obtaining the team line-ups, he shall report this to the Referee.

Following the completion of the game the Official Scorer shall sign the Official Game Report and also see that it is signed by the Referee. The Report should then be sent to the appropriate branch or league office.

## **APPENDIX E – DUTIES OF TEAMS OR RINK MANAGERS RELATING TO RINK CONDITIONS**

- To provide well lighted and heated dressing rooms for the competing teams and Officials.
- To provide sanitary toilet and shower in each dressing room.
- To provide a suitable sound device for the use of the Game Timekeeper during the game.
- To reserve a bench for each team and a bench for the penalized players, Timekeepers and Official Scorer.
- To assist in having each game start on the advertised hour.
- To see that unauthorized persons are not allowed on the floor during the game.
- To be responsible for the proper markings of the floor surface according to the Canadian Ball Hockey Association Rules.
- To keep the goal nets and goal lights in good order.
- To check and maintain the timing device in good working order.
- To, if possible, supply a doorman for the entrance to the Officials' dressing room.
- To make certain that first-aid kits and stretchers are available.

## APPENDIX F – GOAL CREASE (RULE 5)



A semi-circle six feet 1.83 m (6') in radius and two inches (5.08 cm) (2") in width shall be drawn using the centre of the goal line as the centre point. In addition, an "L"-shaped marking of five inches (12.7 cm) (5") in length (both lines) at each front corner will be painted on the floor. The location of the "L"-shaped marking is measured by drawing an imaginary four-foot (1.22 m) (4") line from the goal line to the edge of the semi-circle.

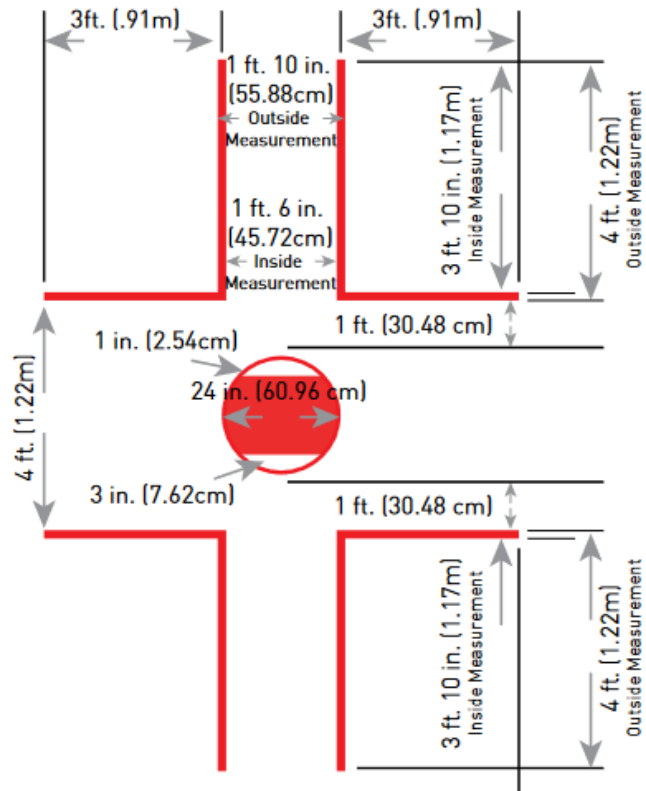
### Goal Netting

There shall be attached to each goal frame a net of approved design made of white nylon cord which shall be draped in such manner as to prevent the ball coming to rest on the outside of it yet strung in a manner that will keep the ball in the net.

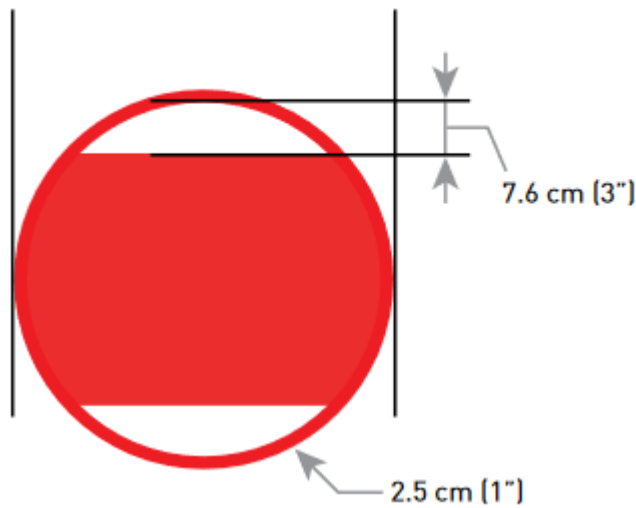
A skirt of heavy white nylon fabric or heavyweight white canvas shall be laced around the base plate of the goal frame in such a way as to protect the net from being cut or broken. This skirt shall not project more than 2.54 cm (one inch) above the base plate.

NOTE: The frame of the goal shall be draped with a nylon mesh net so as to completely enclose the back of the frame. The net shall be made of three-ply twisted twine (0.33 cm (0.130 inch) diameter) or equivalent braided twine of multi filament white nylon with an appropriate tensile strength of 318 kgs (700 pounds =). The size of the mesh shall be 6.35 cm (2 1/2 inches) (inside measurement) from each knot to each diagonal knot when fully stretched. Knotting shall be made as to ensure no sliding of the twine. The net shall be laced to the frame with medium white nylon cord no smaller in size than No. 21.

**APPENDIX G – FACE-OFF RESTRAINING LINES**



**NEUTRAL AND END ZONE**



## CROSS REFERENCE

This Cross Reference is designed to help you quickly locate various situations or specific rule applications. Consult rule for exact application.

### A

- Attacking player(s) entering attacking zone on gatherings ..... 57(j)
- Attacking players causing stoppage in attacking zone ..... 75(c) Note
- Awarded goal with goaltender on floor ... 35(b)

### B

- Bench Minor Penalties
- Team officials/players on bench ..... 9(d)
  - Change of players ..... 19(e)(g)
  - Injured players ..... 20(e)
  - Unsustained measurement ..... Section Three
  - Helmet on bench ..... 24(b)(Note 4)
  - Harassment by team official ..... 47(b)
  - Unidentified abuse ..... 47(c)
  - Banging stick ..... 47(i)
  - Delay of game ..... 55(a)
  - Failure to place correct number of players on floor 55(f)
  - Objects thrown from bench ..... 66(c)(d)
  - Start of game and periods ..... 81(d)
  - End of periods ..... 81(e)

### C

- Checking goal nets ..... 41(r)
- Choice of ends ..... 9(e), 81(c)
- Closing hand on the ball ..... 61(a)
- Colour conflict with sweaters ..... 26 Note
- Contact after the whistle ..... 27(b) Note 2, 59(g)

### D

- Delay of Game
- Captain or alternate leaving players' bench 18(f)
  - Player changes ..... 19(e)
  - Injured goaltender ..... 20(b)
  - Injured player ..... 20(g)
  - Adjustment of equipment ..... 48(c)
  - Goaltender going to players' bench .... 51 (e)
  - Goaltender removing helmet ..... 24(c)



- Start of game and periods..... 81(d)
- Delay with less than 5 minutes in 1st or 2nd period 84(d)
- Deliberate illegal substitution..... 19(f)
- Deliberately freezing the ball 55(a) Note 3, 61(b), 74(b)
- Deliberately shooting ball away from official 47(b)(3)
- Deliberately shooting ball out of bounds 75(b)
- Disallowed Goals
  - Batted ball..... 61(e)
  - Deflected ball off Referee.....57(i), 60(e)
  - High Stick ..... 62(e)
  - Ineligible player ..... 70(g)(h)
  - Kicked ball (directly or off goaltender) ... 69
- Dispute regarding time..... 46(d)
- Disputed goals ..... 41(e)
- Double Minors
  - Butt-ending or using shaft of stick ..... 49(f)
  - First to leave players’/penalty bench during fight 70(b)
  - Spearing (poke or jab) ..... 49(g)

E

End of Period Procedure..... 81(e)

F

Face-off Locations

- Delayed penalty - non-offending team causes stoppage..... 39(b)
- Premature substitution for goaltender .. 19(f)
- When play is stopped immediately when match penalty being assessed ..... 39(d)
- Point players past top of circle ..... 57(j)
- Disallowed Goals ..... 60(h)
- Ball directed with glove ..... 61 (d)(e)
- Contacting ball with high stick ..... 62(d)
- Error on flooring call..... 65(f)
- Error on off-side pass call ..... 73(e)
- Stoppage due to spectators ..... 67(b)

G

- Game Ejection - 3 Penalty Rule ..... 32(a)
- Gathering..... 57(j)
- Goaltender Situations
  - Charged in crease..... 52(b)
  - Checked outside crease.. 52(b) Note, 66(b) Note
  - Cross-checked in crease..... 54(c)
  - Deliberately dislodging net 35(b), 36(c), 55(c)(d)
  - Deliberately freezing the ball..... 61 (b)

- Drop kicking ball..... 37(f)
- Going to players' bench ..... 48(c), 51(e)
- Interfered with or impeded ..... 52(b), 66(b)
- Leaving crease during a fight..... 37(c)
- Leaving crease to freeze ball ..... 58(b)
- Loss of helmet ..... 24(c)
- Participating in play beyond centre red line 37(e)
- Penalties served by teammates ..... 37(a)
- Premature substitution ..... 19(f) Note 3
- Removal of facemask when requested by Referee 23(d)
- Shooting ball out of play..... 55(a)
- Throwing ball forward..... 61 (b) Note
- Throwing stick or object ..... 35(b), 36(a)(2), 82
- Using a players' stick ..... 51(c)
- Wearing helmet and facemask on  
players' bench ..... 24(b) Note 4

## H

- Hand Pass - Batted Ball..... 61(d)  
 Helmet worn in offset position ..... 24(d)

## I

- Flooring Procedures ..... 65(a)  
 Illegal Equipment ..... 23 (c), 24(e)(g)  
 Illegal Substitution..... 19(f)  
 Ineligible Player ..... 16 (b) 2, 70 (g)(h)  
 Instigator or aggressor penalty ..... 59(a)(1)

## N

- Number of players required to start game. 16(a)  
 16 Situation 3

## O

- Overtime ..... 83

## P

## Penalized Player on Penalty Bench

- Assessed a Bench Minor penalty... 47(i) Note
- Causes interference ..... 66(c)(d), 70(e)
- Injured..... 20(e)(f)
- Leaving penalty bench during a fight 70(b)(c)
- Leaving penalty bench prematurely.. 70(d)(g)
- Remaining in penalty bench 28(b) Note, 28(d)(e),

- 65(a) Note 2
- Wearing helmet and facemask....24(b) Note 4
- Penalty Shot infractions
  - Calling for a Major or Match penalty.... 35(h)
  - Dislodging net ..... 55(d)
  - Falling on, holding, gathering into body, or picking up ball while ball is in crease 58(c), 61(c)
  - Interference by player or team official.. 70(e)
  - Last two minutes of regular playing time 55(e)
- Deliberate Illegal Substitution ..... 19(f)
- Deliberate knocking of net from its position..... 55(c)
- Removal of Protective Equipment ..... 24(c)
- Refusing to start play ..... 78(a)
  - Throwing stick ..... 82(a)
  - Tripped or fouled from behind..... 85(d)
- Physical abuse towards officials..... 71
- Player losing helmet..... 24(c)
- Player(s) leaving players' bench to discuss rules or deliver instructions..... 18(f), 55(b)
- Players on floor to start periods ..... 81(d)
- Players remaining on benches at end of period 81(e)
- Players retiring to their benches during a fight 59(a)(5)
- Pre-game warm-up..... 16(g)(h)
- Premature substitution .....19(f) Note 3

R

- Refusing to designate a player to serve penalty27(c)
- Refusing to leave bench or playing area 78(e)

S

- Slew Footing ..... 85(b)
- Stick Measurement
  - Before penalty shot..... 35(i)
- Suspended Players..... 16(h)

T

- Team Officials .....9(c)
- Throwing Stick or Object
  - From players/penalty bench..... 66(c) (d)
  - On the floor ..... 36(a)(2), 82(a)(b)
  - Outside playing area..... 82(d)
- Time-out Guidelines..... 84(f)
- Two or more balls on floor..... 76(b)

U

- Unidentified person committing an infraction.....29(b), 47(c)
- Unsportsmanlike conduct .....47(a) (h)

V

Visiting Team

- First to leave floor ..... 81(e)
- First to place playing line-up on floor 19(d)(g)
- First to place stick down on face-offs .. 57(a)
- First to take position on penalty bench 27(d)

W

- Wearing helmet and facemask  
on players' bench .....24(b) Note 4

## **LIST OF PAST CHAMPIONS NATIONAL AND INTERNATIONAL**

### **CANADIAN BALL HOCKEY NATIONAL CHAMPIONS MEN'S A NATIONAL CHAMPIONS**

- 1978 - Toronto Canadians (ON)..... at Ottawa, ON
- 1979 - Ottawa Globe Trophy (ON) . at Winnipeg, MB
- 1980 - Toronto Canadians (ON)..... at Toronto, ON
- 1981 - Sarnia Wilding Doors (ON) . at Edmonton, AB
- 1982 - St. John's India Bears (NL) . at Saint John, NB
- 1983 - Burnaby Beavers (BC)..... at Vancouver, BC
- 1984 - Toronto Midas Athletics (ON) at St. John's, NL
- 1985 - Winnipeg Grass Hoppers (MB) at Winnipeg, MB
- 1986 - St John's Celtics (NL) ..... at Bridgetown, NS
- 1987 - St. John's Best Western Travellers (NL) at Calgary, AB
- 1988 - St. John's Best Western (NL) at Moncton, NB
- 1989 - Maple Pre Cast Eagles (ON) at Mississauga, ON
- 1990 - London Provincial Glass (ON) at St. John's, NL
- 1991 - Toronto Midas Fracas Top Guns (ON) at Edmonton, AB
- 1992 - Fernview Rangers (ON)..... at Richmond, BC
- 1993 - Fernview Rangers (ON)..... at Ottawa, ON
- 1994 - Fernview Rangers (ON)..... at St. John's, NL
- 1995 - Montreal Storm (QC) ..... at Edmonton, AB
- 1996 - Midnight Express (ON) ..... at Montreal, QC
- 1997 - Midnight Express (ON) ..... at St. John's, NL
- 1998 - Midnight Express (ON) ..... at Vancouver, BC
- 1999 - Midnight Express (ON) ..... at Toronto, ON
- 2000 - Midnight Express (ON) ..... at Saint John, NB
- 2001 - Montreal Red Lite (QC)..... at Vancouver, BC
- 2002 - Montreal Red Lite (QC)..... at St. John's, NL
- 2003 - Montreal Red Lite (QC)..... at Montreal, QC
- 2004 - Montreal Red Lite (QC)..... at Toronto, ON
- 2005 - Montreal Red Lite (QC)..... at Calgary, AB
- 2006 - Montreal Red Lite (QC)..... at Montreal, QC
- 2007 - Montreal Red Lite (QC)..... at Saint John, NB
- 2008 - Montreal Black Knights (QC) at Burnaby, BC
- 2009 - Brampton Midnight Express (ON) at Winnipeg, MB
- 2010 - Newfoundland Black Horse (NL) at St. John's, NL
- 2011 - Brampton Midnight Express (ON) at Brampton, ON
- 2012 - Montreal Red Lite (QC)..... at Edmonton, AB
- 2013 - Montreal Red Lite (QC)..... at Montreal, QC
- 2014 - Montreal Red Lite (QC)..... at Saskatoon, SK
- 2015 - Montreal Red Lite (QC)..... at Ottawa, ON
- 2016 - Montreal Red Lite (QC)..... at Richmond, BC
- 2017 - Edmonton Savages (AB) .... at Saint John, NB
- 2018 - Edmonton Savages (AB) .... at Winnipeg, MB

- 2019 - New Tecumseth Xtreme (ON) at St. John's NL  
 2021 - Brampton Midnight Express (ON) at Calgary, AB  
 2022 - Brampton Midnight Express (ON) at Hamilton, ON

### **WOMEN'S A NATIONAL CHAMPIONS**

- 1987 - Toronto Team Canadian Cougars (ON) at Calgary, AB  
 1988 - Edmonton Old Abbey (AB) at Moncton, NB  
 1989 - Toronto Dragons (ON) at Mississauga, ON  
 1990 - Old Abbey (AB) at St. John's, NL  
 1991 - Toronto Dragons (ON) at Edmonton, AB  
 1992 - Edmonton Stingrays (AB) at Richmond, BC  
 1993 - Toronto Red Wings (ON) at Ottawa, ON  
 1994 - Richmond Vikings (ON) at St. John's, NL  
 1995 - Toronto Red Wings (ON) at Edmonton, AB  
 1996 - Toronto Red Wings (ON) at Montreal, QC  
 1997 - Toronto Road Runners (ON) at St. John's, NL  
 1998 - Toronto Extreme (ON) at Vancouver, BC  
 1999 - Toronto Predators (ON) at Toronto, ON  
 2000 - Toronto Predators (ON) at Saint John, NB  
 2001 - Toronto Predators (ON) at Vancouver, BC  
 2002 - AJ's Pub (NB) at St. John's, NL  
 2003 - Vancouver Sharks (BC) at Montreal, QC  
 2004 - Toronto Predators (ON) at Toronto, ON  
 2005 - Edmonton Gunners (AB) at Calgary, AB  
 2006 - Vancouver Hawks (BC) at Montreal, QC  
 2007 - Joliette Coyotes (QC) at Saint John, NB  
 2008 - Oshawa Stampede (ON) at Burnaby, BC  
 2009 - Ontario Rebel (ON) at Winnipeg, MB  
 2010 - Vanier United (ON) at St. John's, NL  
 2011 - Vanier White Lightning (ON) at Brampton, ON  
 2012 - Toronto Shamrocks (ON) at Edmonton, AB  
 2013 - Dek Hockey Drummond (QC) at Montreal, QC  
 2014 - Vanier Mooseheads (ON) at Saskatoon, SK  
 2015 - Toronto Shamrocks (ON) at Ottawa, ON  
 2016 - Calgary United (AB) at Richmond, BC  
 2017 - New Tecumseth Xtreme (ON) at Saint John, NB  
 2018 - Calgary United (AB) at Winnipeg, MB  
 2019 - Ottawa Capitals (ON) at St. John's NL  
 2021 - Ottawa Capitals (ON) at Calgary, AB  
 2022 - Saskatoon Stiners (SK) at Hamilton, ON

### **MEN'S MASTERS NATIONAL CHAMPION**

- 2015 - Toronto Wolfpack (ON) .....at Ottawa, ON  
 2016 - Alberta Havoc (AB).....at Richmond, BC  
 2017 - Halton Leafs (ON) .....at Saint John, NB

2018 - NL Colonial Auto Parts (NL) .....at Winnipeg, MB  
 2018 - NL Colonial Auto Parts (NL) .....at Winnipeg, MB  
 2019 - Halton Leafs (ON) .....at St.John's NL  
 2021 - Saskatchewan Mammoth (SK) .....at Calgary, AB  
 2022 - Saskatchewan Mammoth (SK) .....at Hamilton, ON

### **MEN'S B NATIONAL CHAMPION**

2016 - Vancouver N.W.O. (BC) .....at Kelowna, BC  
 2017 - St. John's Thunder (NL) .....at Conception Bay South, NL  
 2018 - Brampton Hollywood Express (ON).....at Windsor, ON  
 2019 - Montreal GK (QC) .....at Montreal QC  
 2021 - Saskatoon Smurf's (SK) .....at Saskatoon, SK  
 2022 - New Brunswick Mooseheads (NB) .....at Fredericton, NB

### **MEN'S C NATIONAL CHAMPION**

2016 - Kamloops Blackjacks (BC) .....at Kelowna, BC  
 2017 - Gros Morne Wildlife Museum Gulls (NL) at Conception Bay South, NL  
 2018 - Toronto Rams (ON) .....at Windsor, ON  
 2019 - Montreal Punishers (QC).....at Montreal QC  
 2021 - Saskatoon Lads (SK) .....at Saskatoon, SK  
 2022 - NL Pub Down Under Pigeons (NB) .....at Fredericton, NB

### **MEN'S D NATIONAL CHAMPION**

2016 - Victoria Rangers (BC) .....at Kelowna, BC  
 2017 - Stoney Creek Savages (ON) .....at Conception Bay South, NL  
 2018 - Toronto Autobots (ON) .....at Windsor, ON  
 2019 - Montreal A's (QC).....at Montreal QC  
 2021 - Vaughan Saints (ON) .....at Saskatoon, SK  
 2022 - Saint John Farm Team .....at Fredericton, NB

### **WOMEN'S B NATIONAL CHAMPION**

2016 - BC Hawks (BC) .....at Kelowna, BC  
 2017 - No Event.....at Conception Bay South, NL  
 2018 - Ottawa Sonics (ON) .....at Windsor, ON  
 2019 - Ottawa Sonics (ON) .....at Montreal QC  
 2021 - Edmonton Cherry Pickers (AB) .....at Saskatoon, SK  
 2022 - Edmonton Cherry Pickers (AB) .....at Fredericton, NB

### **U19 BOYS NATIONAL CHAMPION**

1999 - Vaughan Capitals (ON) .....at Brampton, ON  
 2001 - Grand Falls-Windsor Chiefs (NL) .....at Montreal, QC  
 2002 - Toronto Jaguars (ON) .....at Grand Falls, NL  
 2003 - Newfoundland Stars (NL) .....Mississauga, ON  
 2004 - Edmonton Blues (AB) .....at Edmonton, AB  
 2005 - Edmonton Blues (AB) .....at Charlottetown, PEI  
 2006 - Toronto Jaguars (ON) .....at Waterloo, ONT  
 2007 - Edmonton Avalanche (AB) .....at Burnaby, BC

2008 - Penetanguishene Blazers (ON)..... at Halifax, NS  
 2009 - Belleville Bulls (ON)..... at Edmonton, AB  
 2010 - Belleville Bulls (ON)..... at Waterloo, ON  
 2011 - Belleville Bulls (ON)..... at Saskatoon, SK  
 2012 - No Event  
 2013 - Oakville Rangers (ON) ..... at Oakville, ON  
 2014 - Manitoba Grasshoppers (MB) ..... at Winnipeg, MB  
 2015 - Team Manitoba (MB)..... at St. John's, NL  
 2016 - Manitoba Pioneers (MB)..... at Edmonton, AB  
 2017 - Withrow Park Knights (ON) ..... at Kitchener, ON  
 2018 - New Tecumseth Xtreme (ON) ..... at Fredericton, NB  
 2019 - New Tecumseth Xtreme (ON) ..... at Vancouver, BC  
 2022- New Tecumseth Xtreme (ON) ..... at Winnipeg, MB

### **U17 BOYS NATIONAL CHAMPION**

2006 - Penetanguishene Blazers (ON)..... at Waterloo, ON  
 2007 - Belleville Bulls (ON)..... at Burnaby, BC  
 2008 - Belleville Bulls (ON)..... Halifax, NS  
 2009 - Belleville Bulls (ON)..... at Edmonton, AB  
 2010 - Belleville Bulls (ON)..... at Waterloo, ON  
 2011 - Team Ontario (ON)..... at Saskatoon, SK  
 2012 - Team Manitoba (MB).....at Vernon, BC  
 2013 - BC Thunder (BC).....at Oakville, ON  
 2014 - Manitoba Moose (MB) ..... at Winnipeg, MB  
 2015 - New Tecumseth Extreme (ON) ..... at St. John's NL  
 2016 - BC Thunder (BC)..... at Edmonton, AB  
 2017 - Edmonton Xtreme (AB) ..... at Kitchener, ON  
 2018 - Newfoundland & Labrador Selects (NL) at Fredericton, NB  
 2019 – Team BC Thunder (BC)..... at Vancouver, BC  
 2022 Manitoba Selects ..... at Winnipeg, MB

### **U15 BOYS NATIONAL CHAMPION**

2008 - Penetanguishene Blazers (ON)..... Halifax, NS  
 2009 - West Coast Wolverines (BC)..... at Edmonton, AB  
 2010 - Beeton Xtreme (ON)..... at Waterloo, ON  
 2011 - Toronto Selects (ON) ..... at Saskatoon, SK  
 2012 - No Event  
 2013 - Winnipeg Warriors (MB) ..... at Oakville, ON  
 2014 - Edmonton Xtreme (AB) ..... at Winnipeg, MB  
 2015 - West Coast Wolverines (BC)..... at St. John's, NL  
 2016 - Edmonton Xtreme (AB) ..... at Edmonton, AB  
 2017 - Edmonton Express (AB)..... at Kitchener, ON-  
 2018 - Manitoba Grasshoppers (MB) ..... at Fredericton, NB  
 2019 - TeamBC Wolverines (BC) ..... at Vancouver, BC  
 2022- New Tecumseth Extreme (ON) ..... at Winnipeg, MB



**U19 GIRLS NATIONAL CHAMPION**

- 2018 - Team Ontario Red (ON) ..... at Fredericton, NB  
 2019 - Team Ontario Red (ON) ..... at Vancouver, BC  
 2022 - NL Selects ..... at Winnipeg, MB

**EASTERN REGIONAL CHAMPIONS EASTERN B REGIONAL CHAMPIONS**

- 1989 - Gander Hotel All Stars (NL)  
 1990 - Halifax Blue Ribbon Painting (NS)  
 1991 - Kennville B & B Rebuilders (NS)  
 1992 - Bonavista All Stars (NL)  
 1993 - Dartmouth Knights (NS)  
 1994 - Port aux Basques Classics (NL)  
 1995 - St. John's Battery Bar (NL)  
 1996 - St. John's Black Horse (NL)  
 1997 - P.T.M. Bulldogs (QC)  
 1998 - XPY Mississauga (ON)  
 1999 - United Hawks (ON)  
 2000 - Team Canada (ON)  
 2001 - Niagara Wizards (ON)  
 2002 - Bay Roberts Renegades (NL)  
 2003 - Red Phoenix (QC)  
 2004 - United Hawks (ON)  
 2005 - Canucks (ON)  
 2006 - Toronto Thunder (ON)  
 2007 - Red Army (QC)  
 2008 - Orangeman (ON)  
 2009 - Saint John Most Wanted (NB) ..... at Saint John, NB  
 2010 - Magic Steelers (ON) ..... at St. John's, NL  
 2011 - Montreal Golden Knights (QC) ..... at Charlottetown, PEI  
 2012 - Montreal United (QC) ..... at Montreal, QC  
 2013 - Montreal Generals (QC) ..... at Oakville, ON  
 2014 - Saint John Most Wanted (NB) ..... at Saint John, NB  
 2015 - Newfoundland OutRageous (NL) ..... at St. John's, NL

**EASTERN C REGIONAL CHAMPIONS**

- 2000 - Montreal Blue Stars (QC)  
 2001 - Toronto Steelers (ON)  
 2002 - Vaughan Generals (ON)  
 2003 - Outlaws (QC)  
 2004 - Mississauga Whalers (ON)  
 2005 - North York Leafs (ON)  
 2006 - Red Army (QC)  
 2007 - Jackals (QC)  
 2008 - Halifax Phantoms (NS)  
 2009 - Montreal Holy Rollers (QC) ..... at Saint John, NB

2010 - Big Bastone (ON) ..... at St. John's, NL  
 2011 - Montreal Capitals (QC)..... at Charlottetown, PEI  
 2012 - Montreal Aces D'Hochelaga (QC) ..... at Montreal, QC  
 2013 - Montreal Capitals (QC)..... at Oakville, ON  
 2014 - Maguire Mustangs (NB) ..... at Saint John, NB

### **EASTERN D REGIONAL CHAMPIONS**

2013 - Montreal North Stars (QC) ..... at Oakville, ON  
 2014 - Montreal Bramabulls (QC)..... at Saint John, NB  
 2015 - Window Shop (NL) ..... at St. John's, NL

### **WESTERN REGIONAL CHAMPIONS WESTERN B REGIONAL CHAMPIONS**

1989 - Vancouver Timbermen (BC)  
 1990 - Calgary Sharpshooters (AB)  
 1991 - Edmonton Royals (AB)  
 1992 - Victoria Rangers (BC)  
 1993 - Kamloops Rangers (BC)  
 1994 - Victoria Wolfpacks (BC)  
 1995 - Edmonton Tomahawk Chop (AB)  
 1996 - Winnipeg Blizzard (MB)  
 1997 - Surrey Posse (BC)  
 1998 - Burnaby Bulldawgs (BC)  
 1999 - Burnaby Raiders (BC)  
 2000 - Surrey Magic Cobras (BC)  
 2001 - Edmonton Trojans (AB)  
 2002 - Kamloops Blackjacks (BC)  
 2003 - Kelowna Drillers (BC)  
 2004 - North Delta (BC)  
 2005 - Calgary Savages (AB)  
 2006 - Winnipeg Selects (MB)  
 2007 - Surrey Giants (BC)  
 2008 - Edmonton Jets (AB)  
 2009 - Winnipeg Players (MB)..... at Edmonton, AB  
 2010 - Calgary Hostile Takeover (AB) ..... at Saskatoon, SK  
 2011 - Edmonton Whalers (AB)..... at Winnipeg, MB  
 2012 - Vernon Flyers (BC)..... at Kelowna, BC  
 2013 - Winnipeg Players (MB)..... at Red Deer, AB  
 2014 - Saskatoon Teabaggers (SK) ..... at Saskatoon, SK  
 2015 - Manitoba Grasshoppers (MB) ..... at Brandon, MB

### **WESTERN C REGIONAL CHAMPIONS**

2000 - Victoria Joe the Bartender (BC)  
 2001 - Kamloops Blackjacks (BC)  
 2002 - Fraser Valley Cyclones (BC)  
 2003 - Victoria Islanders (BC)

- 2004 - All City Hawks (BC)
- 2000 - Victoria Joe the Bartender (BC)
- 2001 - Kamloops Blackjacks (BC)
- 2002 - Fraser Valley Cyclones (BC)
- 2003 - Victoria Islanders (BC)
- 2004 - All City Hawks (BC) ..... at Brandon, MB
- 2005 - Swift Current Vipers (SK)
- 2006 - Winnipeg Mavericks (MB)
- 2007 - Fraser Valley Flintstones (BC)
- 2008 - Surrey Satans (BC)
- 2009 - Edmonton Top Shelf (AB) ..... at Edmonton, AB
- 2010 - Kelowna Running Rebels (BC)..... at Saskatoon, SK
- 2011 - Wheat City Wildcats (MB) ..... at Winnipeg, MB
- 2012 - Victoria Devils (BC) ..... at Kelowna, BC
- 2013 - BHE The Edge ..... at Red Deer, AB
- 2014 - Wheat City Wildcats (MB) ..... at Saskatoon, SK
- 2015 - Edmonton Cobras (AB) . . . . .
- 2015 - Edmonton Cobras (AB)

**WESTERN D REGIONAL CHAMPIONS**

- 2013 - Grande Prairie Ballers (AB) ..... at Red Deer, AB
- 2014 - Ragina Crushers (SK) ..... at Saskatoon, SK
- 2015 - Ribstone Creek Muskrats (AB) ..... at Brandon, MB

**WOMENS EASTERN/WESTERN REGIONAL CHAMPIONS WOMENS EASTERN B REGIONAL CHAMPIONS**

- 2008 - Moncton (NB)
- 2009 - Dartmouth Dodge Vipers (NS) ..... at Saint John, NB
- 2010 - Newfoundland Blue Team (NL) ..... at St. John's, NL
- 2011 - Newfoundland Home Hardware (NL) .. at Charlottetown, PEI
- 2012 - QC Coyotes Lanaudiere (QC) ..... at Montreal, QC

**WORLD MEN'S CHAMPIONS**

YEAR	LOCATION	GOLD	SILVER	BRONZE
1996	Bratislava, Slovakia	Canada	Czech Rep.	Slovakia
1998	Litomerice, Czech Rep.	Czech Rep.	Slovakia	Canada
1999	Zvolen, Slovakia	Slovakia	Canada	Czech Rep.
2001	Toronto, Canada	Canada	Czech Rep.	Slovakia
2003	Sierre, Switzerland	Canada	Czech Rep.	Slovakia
2005	Pittsburgh, USA	Canada	Slovakia	Italy
2007	Ratingen, Germany	Canada	Czech Rep.	Slovakia
2009	Pilsen, Czech Rep.	Czech Rep.	India	Slovakia
2011	Bratislava, Slovakia	Czech Rep.	Canada	Slovakia
2013	St. John's, Canada	Slovakia	Czech Rep.	Canada
2015	Zug, Switzerland	Slovakia	USA	Czech Rep.

The use of the masculine gender has been adopted in this document to lighten the text and has no discriminatory intent. We adhere to the rule of using the masculine with the value of neutral.

2017	Pardubice, Czech Rep.	Slovakia	Canada	Czech Rep.
2019	Kosice, Slovakia	Slovakia	Finland	Canada
2022	Laval, QC	Canada	Czech Rep.	USA

## WORLD WOMEN'S CHAMPIONS

YEAR	LOCATION	GOLD	SILVER	BRONZE
2007	Ratingen, Germany	Canada	Slovakia	Czech Rep.
2009	Pilsen, Czech Rep.	Canada	Slovakia	Czech Rep.
2011	Bratislava, Slovakia	Slovakia	Canada	Czech Rep.
2013	St. John's, Canada	Canada	Slovakia	Czech Rep.
2015	Zug, Switzerland	Canada	Czech Rep.	Slovakia
2017	Pardubice, Czech Rep.	Czech Rep.	USA	Canada
2019	Kosice, Slovakia	Canada	USA	Czech Rep.
2022	Laval, QC	Canada	Czech Rep.	Slovakia

## WORLD JUNIOR BOYS U23 - CHAMPIONS

YEAR	LOCATION	GOLD	SILVER	BRONZE
2023	Liberec, Czech Rep.	Czech Rep.	Slovakia	USA

## WORLD JUNIOR U20 - CHAMPIONS

YEAR	LOCATION	GOLD	SILVER	BRONZE
2000	Kralupy, Czech Rep.	Canada	Czech Rep.	Slovakia
2002	Champery, Switzerland	Czech Rep.	Slovakia	Canada
2004	Martin, Slovakia	Slovakia	Czech Rep.	Canada
2006	Aosta, Italy	USA	Slovakia	Czech Rep.
2008	St. John's, Canada	Canada	Slovakia	USA
2010	Villach, Autriche	Canada	Czech Rep.	Slovakia
2012	Pisek, Czech Rep.	Canada	Czech Rep.	USA
2014	Bratislava, Slovakia	Slovakia	Czech Rep.	USA
2016	Sheffield, UK	Slovakia	Canada	Czech Rep.
2018	St. John's, Canada	Czech Rep.	Canada	Slovakia

## WORLD JUNIOR U18 - CHAMPIONS

YEAR	LOCATION	GOLD	SILVER	BRONZE
2008	Zvolen, Slovakia	Canada	Slovakia	Czech Rep.
2010	Most, Czech Rep.	Slovakia	Canada	Czech Rep.
2012	Pisek, Czech Rep.	Canada	Slovakia	Czech Rep.
2014	Bratislava, Slovakia	Slovakia	Czech Rep.	USA
2016	Sheffield, UK	Canada	Slovakia	Czech Rep.
2018	St. John's, Canada	Canada	Czech Rep.	Slovakia

## WORLD JUNIOR U16 – CHAMPIONS

YEAR	LOCATION	GOLD	SILVER	BRONZE
2008	Zvolen, Slovakia	Canada	Czech Rep.	Slovakia
2010	Most, Czech Rep.	Canada	Slovakia	Czech Rep.
2012	Pisek, Czech Rep.	Slovakia	Czech Rep.	Canada

2014	Bratislava, Slovakia	Slovakia	Canada	Czech Rep.
2016	Sheffield, UK	Canada	Slovakia	USA
2018	Prerov, Czech Rep.	Canada	Slovakia	Czech Rep.
2019	Prerov & Ziln, Czech Rep.	Canada Ouest	Canada Est	Slovakia
2022	Pardubice, Czech Rep.	Czech Rep. Rouge	Czech Rep. Blanc	Slovakia

### WORLD JUNIOR U18 GIRLS - CHAMPIONS

YEAR	LOCATION	GOLD	SILVER	BRONZE
2019	Czech Rep.	Czech Rep.	Slovakia	Grande Bretagne

### WORLD JUNIOR U20 GIRLS - CHAMPIONS

YEAR	LOCATION	GOLD	SILVER	BRONZE
2018	Prerov & Ziln, Czech Rep.	Czech Rep.	Canada	Slovakia
2023	Liberec, Czech Rep.	Canada	Slovakia	Czech Rep.